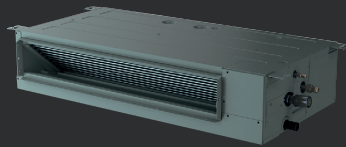


Technical specifications


Slim Duct



FM Super R32 Inverter


 WiFi Control


 ON/OFF Function

 Room Card Control

 Fire Leakage Control

 Water Level Switch

 Built-in Drain Pump

 Slim Design

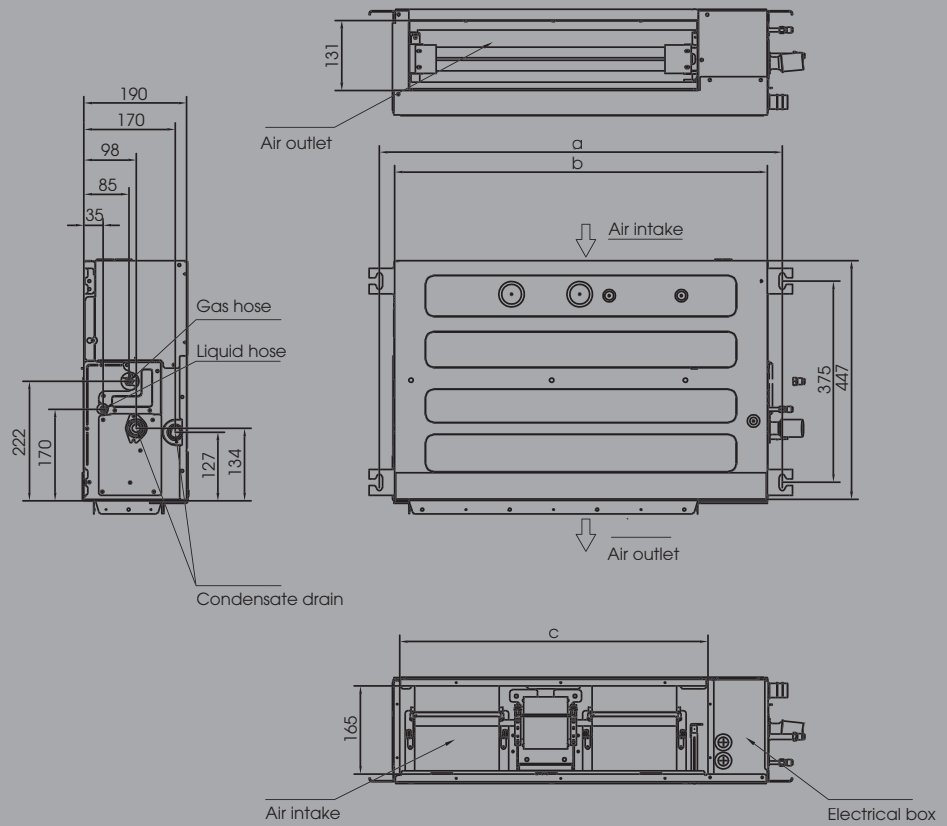
 Filter Clean Signal

 Universal Unit

Indoor Model		ADT26UX4RBL4	ADT35UX4RBL4	ADT52UX4RCL4	AUD71UX4RCL4
Outdoor Model		AUW26U4RR4	AUW35U4RS4	AUW52U4RS4	AUW71U4RF4
Nominal	W	2900	3520	5300	7200
Nominal	W	3100	3800	5800	7900
SEER	W / W	6.30	6.30	6.40	6.40
SCOP	W / W	4.20	4.00	4.00	4.20
Energy Efficiency Class		A++	A++	A++	A++
Energy Efficiency Class		A+	A+	A+	A+
Power Supply	Indoor	220-240V-50/60Hz	220-240V-50/60Hz	220-240V-50/60Hz	220-240V-50/60Hz
Power Supply	Outdoor	220-240V-50/60Hz	220-240V-50/60Hz	220-240V-50/60Hz	220-240V-50/60Hz
Indoor Unit (W × H × D)	mm	910 × 190 × 447	910 × 190 × 447	1180 × 190 × 447	1180 × 190 × 447
Outdoor Unit (W × H × D)	mm	730 × 540 × 260	810 × 580 × 280	810 × 580 × 280	860 × 670 × 310
IDU Qty/per 20' / 40' / 40'HQ		160 / 352 / 396	160 / 352 / 396	128 / 264 / 297	128 / 264 / 297
ODU Qty/per 20' / 40' / 40'HQ		136 / 284 / 284	102 / 204 / 272	102 / 204 / 272	90 / 186 / 186

Installation Drawings

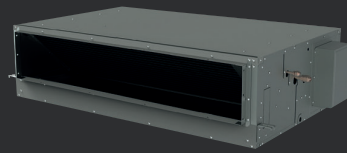
- ADT26UX4RBL4
- ADT35UX4RBL4
- ADT52UX4RBL4
- AUD71UX4RCL4



	a	b	c
ADT26 / ADT35	961	910	786
ADT52 / AUD71	1231	1180	1056

Technical specifications

MSP Duct



FM Super R32 Inverter



WiFi Control

ON/OFF
FunctionRoom Card
ControlFire Leakage
ControlWater Level
SwitchBuilt-in Drain
Pump

Slim Design

Filter Clean
Signal

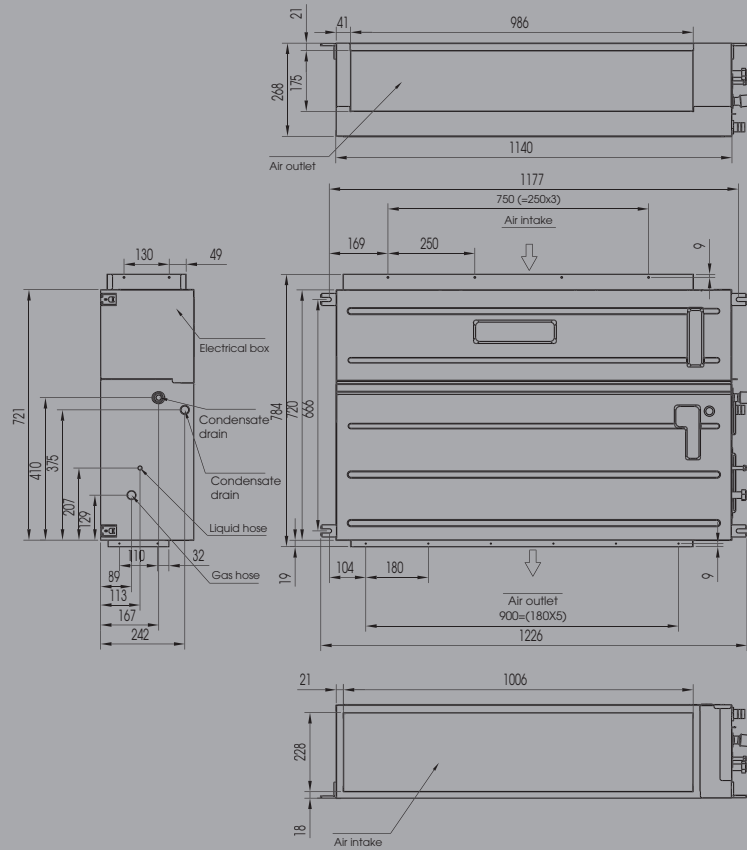
I Feel

Indoor Model		AUD71UX4RDH4	AUD90UX4RDH5	AUD105UX4RDH5	AUD125UX4RHH5
Outdoor Model		AUW71U4RF4	AUW90U4RF4	AUW105U4RA4	AUW125U6RT4
Nominal	W	7300	8800	10500	12500
Nominal	W	8000	9000	11500	13400
SEER	W / W	7.00	6.20	6.10	—
SCOP	W / W	4.05	4.00	4.00	—
Energy Efficiency Class		A++	A++	A++	—
Energy Efficiency Class		A+	A+	A+	—
Power Supply	Indoor	220-240V-50/60Hz	220-240V-50/60Hz	220-240V-50/60Hz	220-240V- 50/ 60Hz
Power Supply	Outdoor	220-240V-50/60Hz	220-240V-50/60Hz	220-240V-50/60Hz	380-415V 3N~ 50/60Hz
Indoor Unit (W × H × D)	mm	1140 × 268 × 720	1140 × 268 × 720	1140 × 268 × 720	1300 × 350 × 800
Outdoor Unit (W × H × D)	mm	860 × 670 × 310	860 × 670 × 310	950 × 840 × 340	950 × 1050 × 340
IDU Qty/per 20' / 40' / 40'HQ		60 / 126 / 147	60 / 126 / 147	60 / 126 / 147	35 / 75 / 90
ODU Qty/per 20' / 40' / 40'HQ		90 / 186 / 186	90 / 186 / 186	52 / 106 / 106	26 / 53 / 106

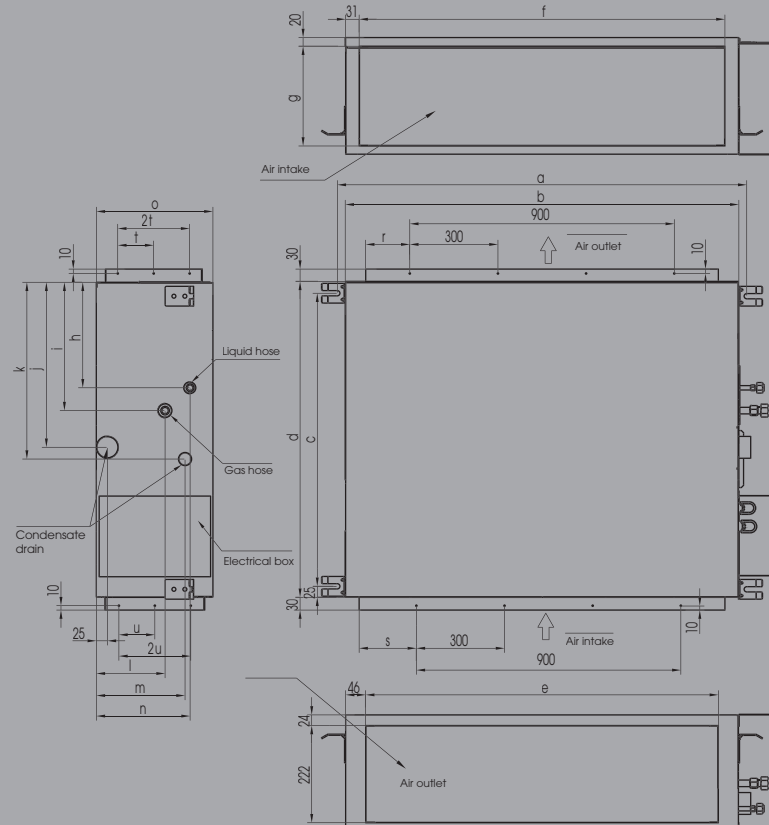
Indoor Model		AUD125UX4RHH5	AUD140UX4RHH5	AUD140UX4RHH5	AUD175UX4RHH5
Outdoor Model		AUW125U4RT5	AUW140U6RP4	AUW140U4RP5	AUW175U6RP4
Nominal	W	12500	14400	14100	17500
Nominal	W	13400	17300	17100	18500
SEER	W / W	—	—	—	—
SCOP	W / W	—	—	—	—
Energy Efficiency Class		—	—	—	—
Energy Efficiency Class		—	—	—	—
Power Supply	Indoor	220-240V-50/60Hz	220-240V- 50/ 60Hz	220-240V-50/60Hz	220-240V- 50/ 60Hz
Power Supply	Outdoor	220-240V-50/60Hz	380-415V 3N~ 50/60Hz	220-240V-50/60Hz	380-415V 3N~ 50/60Hz
Indoor Unit (W × H × D)	mm	1300x350x800	1300 × 350 × 800	1300 × 350 × 800	1300 × 350 × 800
Outdoor Unit (W × H × D)	mm	950 × 1050 × 340	950 × 1386 × 340	950 × 1386 × 340	950 × 1386 × 340
IDU Qty/per 20' / 40' / 40'HQ		35 / 75 / 90	35 / 75 / 90	35 / 75 / 90	35 / 75 / 90
ODU Qty/per 20' / 40' / 40'HQ		26 / 53 / 106	26 / 53 / 53	26 / 53 / 53	26 / 53 / 53

Installation Drawings

AUD90UX4RDH5
AUD105UX4RDH5



AUD125UX4RHH5
AUD140UX4RHH5
AUD175UX4RHH5



a	b	c
1334	1300	756
d	e	f
800	1205	1235
g	h	i
308	237	312
j	k	l
375	400	204
m	n	o
186	242	350
p	q	r
3	900	153
s	t	u
168	90	140