

# EL 355 E2 01

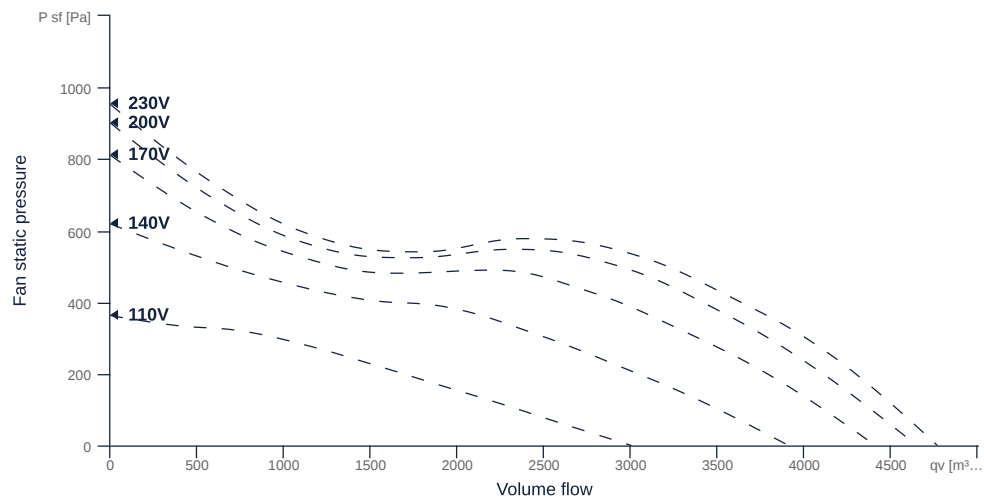
112757

- Innovative, high-efficiency diagonal fan
- Optimally tuned, CFD-optimized aerodynamics
- The benchmark for efficiency since 2007
- Robust single phase AC motor
- Conveyed medium temperature up to 80 °C in continuous operation
- Housing made of galvanized steel sheet



## FAN CURVES

Name	Value	Unit
Volume flow	0	m³/h
Pressure	0	Pa



to the product detail page

## GENERAL DATA

Name	Value	Unit	Formula symbol
Labeling	CE, UKCA		
Duct size	-		$W \times H_{\text{duct}}$
Pipe connection size (DN)	DN355		DN
Rated voltage (entire device)	230	V	$U_{\text{rated}}$
Phases (entire device)	1~		phase
Electrical protection (entire device)	6 A		fuse
Housing material	Galvanized steel		matcasing
Impeller material	Plastic		matimpeller
IP-Protection class (terminal box)	IP44		IPebox
Weight	17.01	kg	m
Fan type	Diagonal		Fantype
Category / Installation situation	A		cat

## MAXIMAL DATA

Name	Value	Unit	Formula symbol
Max. power consumption (device)	926	W	$P_{\text{ed, max}}$
Max. operating current (device)	5.1	A	$I_{\text{ed, max}}$
Max. speed	2840	1/min	$n_{\text{max}}$
Max. stat. efficiency	46.3	%	$\eta_{\text{es}}$
Max. fan efficiency	49.7	%	$\eta_{\text{e}}$
Max. flowrate	4770	$\text{m}^3/\text{h}$	$Q_{\text{v, max}}$
Max. stat pressure	950	Pa	$p_{\text{sf, max}}$
Max. medium temperature	45	$^{\circ}\text{C}$	$T_{\text{m, max}}$
Max. environment temperature	45	$^{\circ}\text{C}$	$T_{\text{amb, max}}$
Min. environment temperature	-25	$^{\circ}\text{C}$	$T_{\text{amb, min}}$
Min. voltage	110	V	$U_{\text{min}}$
Stall current	9	A	$I_{\text{LRA}}$



to the product detail page

## MOTOR DATA

Name	Value		Unit	Formula symbol
	50 Hz	60 Hz		
Rated frequency (device)		50		f
Motor type		AC 1~		phase
Control type		stepless-controlled		ctrltype
Installation type		IRM (In)		install
Rotation direction		right		rotation
Isolation class		ISO F		ISOclass
Motor-protection		TMI		protectmotor
Protection class		IP00		IPmotor
Is pole-changeable		No		polexch
Type of power supply		AC 1~		pwsupmotor
Capacity capacitor		22	µF	Ccond
Voltage capacitor		400	V	VUcond
Number of poles (1)		2.000000		num polesw1
Rated voltage	230		V	U <sub>rated, f1</sub>
Rated current	3.5		A	I <sub>rated, f1</sub>
Shaft power	550		W	P <sub>out, f1</sub>
Speed	2800		1/min	n <sub>f1</sub>
Cos Phi	0.990000	0.000000		cos φ
UL-Certification motor		None		ULcert

## ERP DATA (LOT11)

Name	Value	Unit	Formula symbol
Speed at the energy efficiency optimum	2743	1/min	n <sub>opt</sub>
Efficiency level	47.1	%	N
Efficiency category	statisch		catefficiency
Input power of the motor at the energy efficiency optimum	0.92	kW	P <sub>e, opt</sub>
Overall efficiency	58	%	η <sub>ges</sub>
Measurement category	A		meas cat
Fan pressure at energy efficiency optimum	552	Pa	p <sub>f, opt</sub>
Flowrate at energy efficiency optimum	3027	m³/h	q <sub>v, opt</sub>

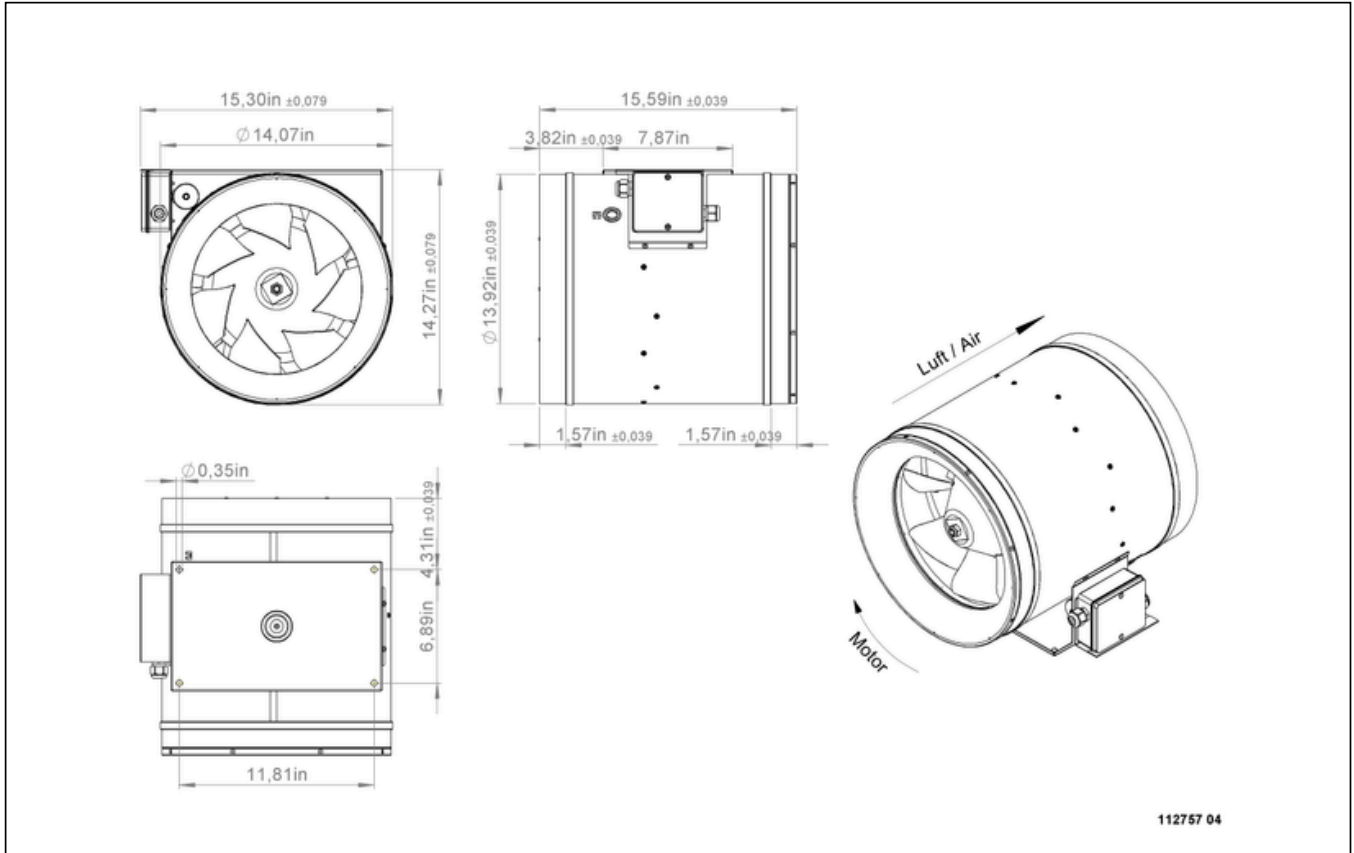


to the product detail page

# EL 355 E2 01

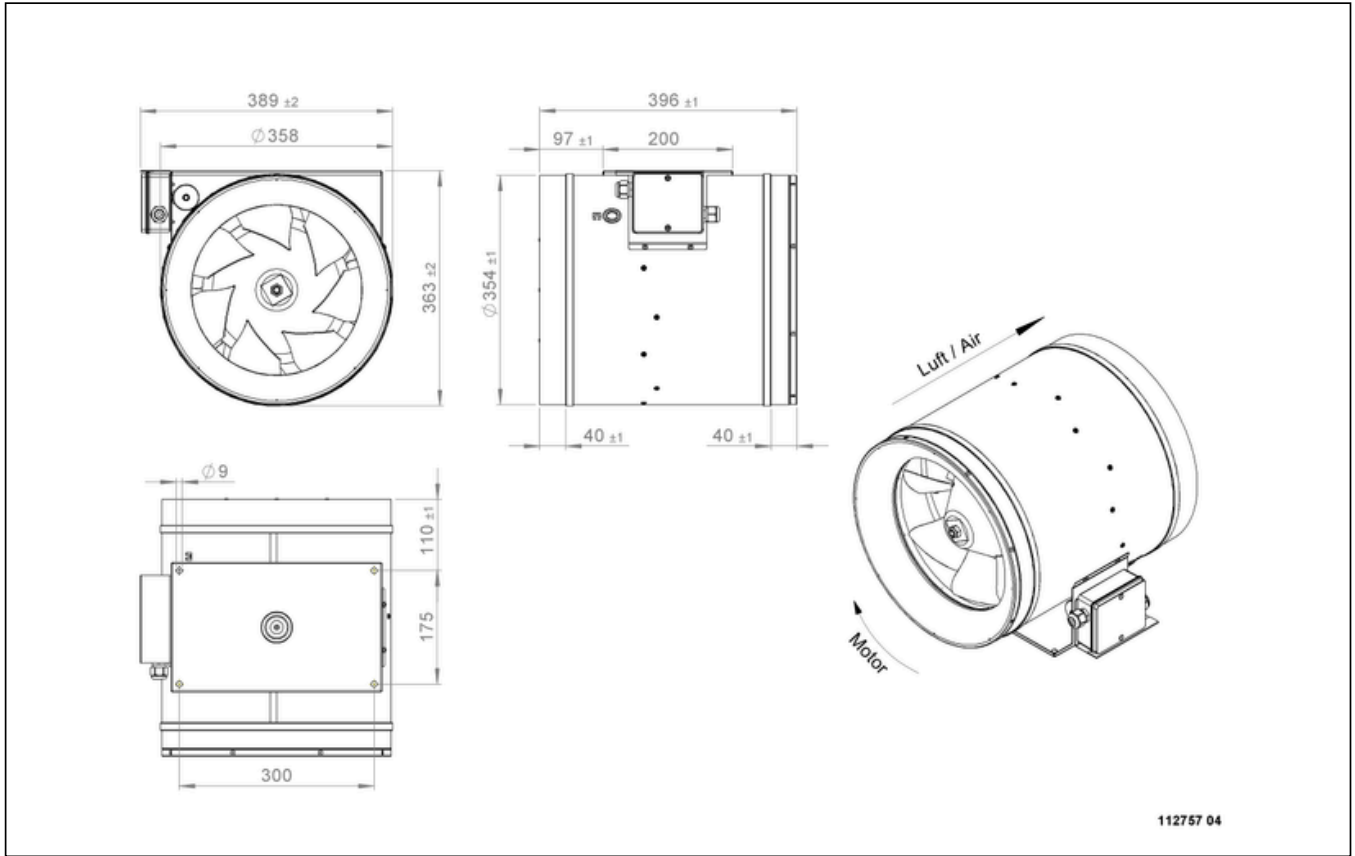
112757

## CIRCUIT DIAGRAMS / DIMENSIONAL DRAWINGS



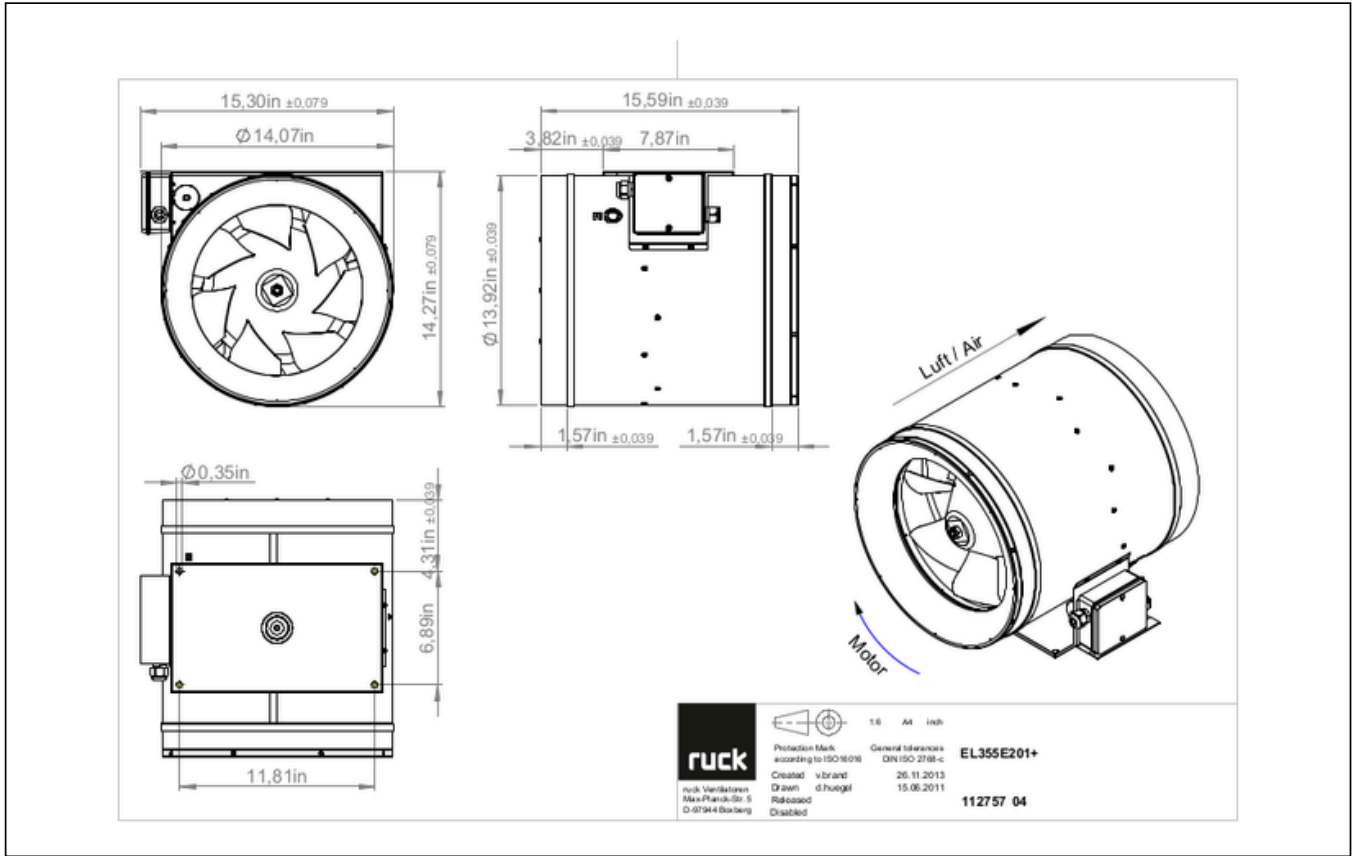
# EL 355 E2 01

112757



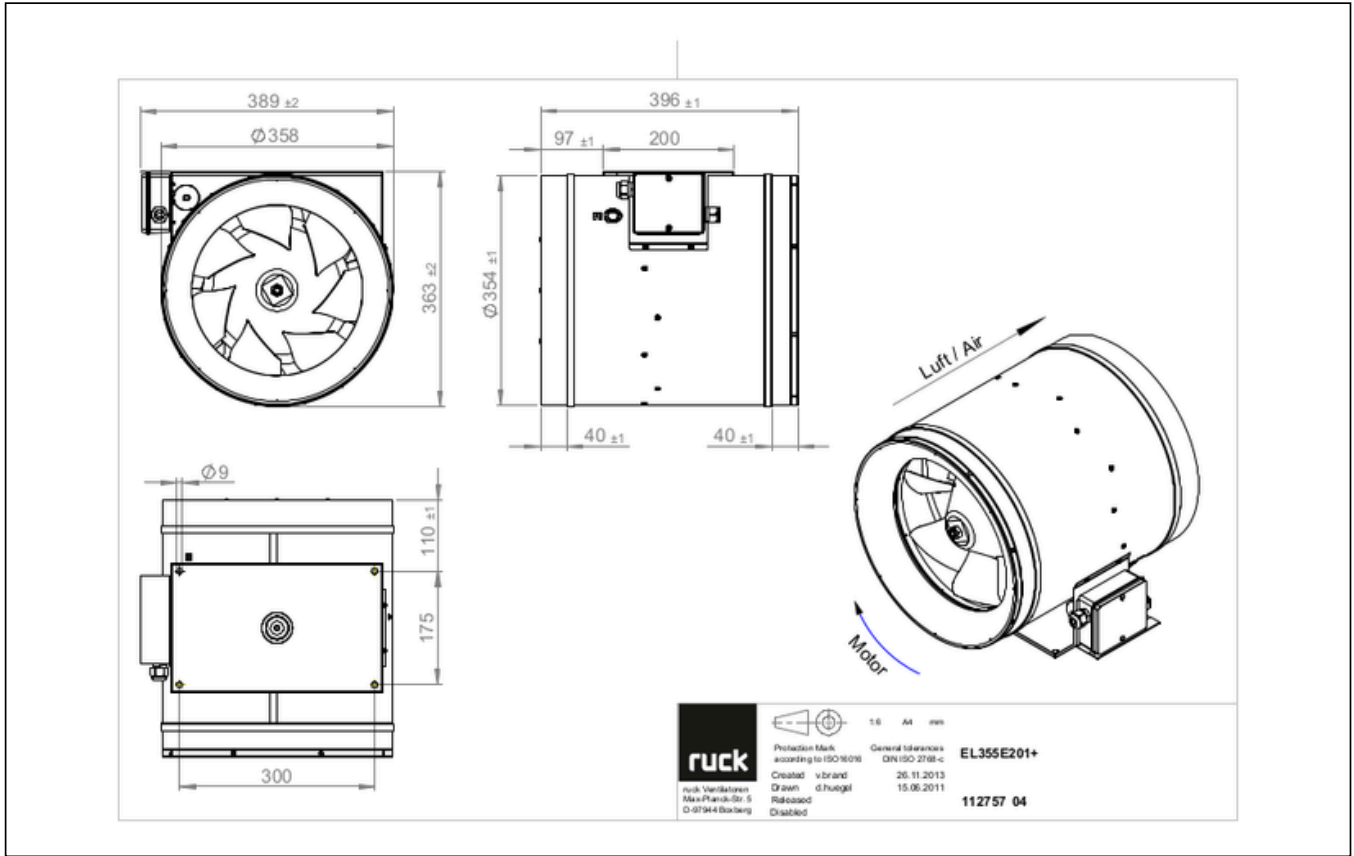
# EL 355 E2 01

112757

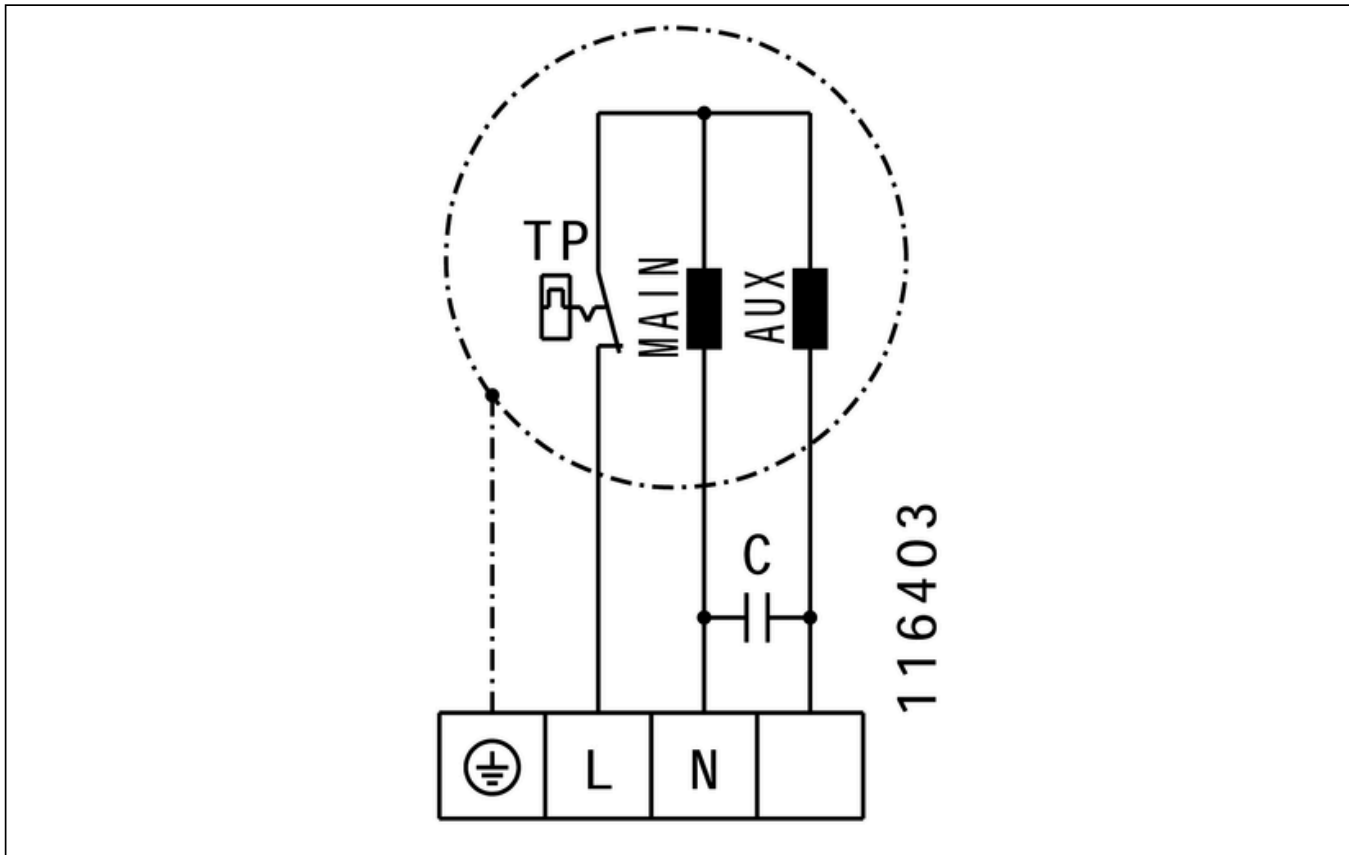


# EL 355 E2 01

112757



to the product detail page



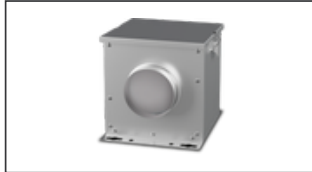


# EL 355 E2 01

112757

## MECHANICAL ACCESSORIES

**FV 355 | 112835**



- Air filter box with mat filter ISO Coarse 45 % (G3)
- Toggle-type fastener

**FT 355 | 112847**



- Air filter box for pocket filter
- Toggle-type fastener
- Galvanized steel sheet housing
- Without filter

**FTW 355 | 112856**



- Air filter box with pocket filter M5
- Integrated warm water heating coil
- Galvanized steel sheet housing
- Toggle-type fastener

**RSK 355 | 102665**



- Back draught shutter for tube fitting
- Galvanized steel sheet housing
- Aluminum flaps

**RSK 355D | 113491**



- Back draught shutter for tube fitting
- Galvanized steel sheet housing
- Aluminum flaps
- Integrated gasket

**UKR 6035 01 | 114641**



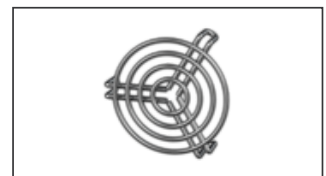
- Transition duct / tube
- Steel sheet, galvanized
- 600 x 350 mm / NW 355

**VM 355 | 102653**



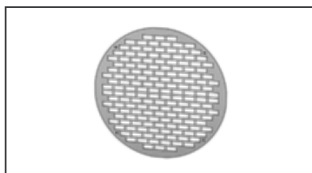
- Fast clamps for sound decoupling and sealing
- Galvanized steel sheet, 5 mm
- Neopren gasket
- 1 Pack = 2 pieces

**SG 355 01 | 102901**



- Protection grille for tube connection
- Galvanized wire

**SG 355 02 | 112674**



- Inlet protection grille for Etaline
- Galvanized steel sheet

**SDF 355 | 102707**



- Flexible tube silencer
- Galvanized steel sheet
- Sound insulation packing 50 mm

**SDS 355 | 102725**



- Rigid tube silencer
- Galvanized steel sheet
- Sound insulation packing 50 mm (mineral wool)

## ELECTRICAL ACCESSORIES

**GS 01 | 102787**



- Isolator switch
- Umax = 400 V, 50/60 Hz
- Switching capacity 400 V 3~ = 7,5 kW
- Imax = 25 A

**TEM 075 | 103507**



- 5-step transformer
- 230 V, 50/60 Hz, 7,5 A
- Output voltage: 230-190-170-140-110-80-0 V
- Protection class IP 54
- With motor protection

**TES 075 02 | 146197**



- 5-step transformer
- 230 V, 50/60 Hz, 7,5 A
- Without housing, control cabinet installation
- Protection class IP 20



to the product detail page