

Technical Data Sheet

CODE 17197

LINEO 250 Q T

Mixed flow extractor fans



Certifications

CE CE

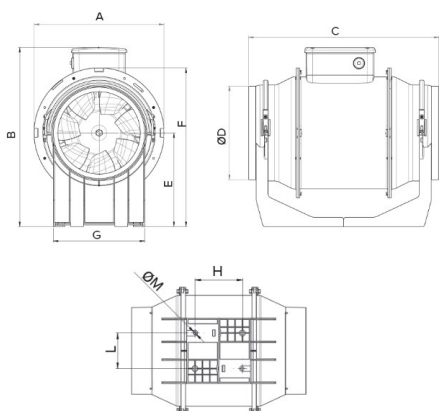
UK
CA UKCA

CB TEST CERTIFICATE

Technical and performance data

Frequency (Hz)	50	Airflow at 1st speed (m ³ /h)	720
Insulation class	II°	Max airflow at Max speed (l/s)	275
IP	44	Max airflow at Max speed (m ³ /h)	990
Max absorbed current at Max speed (A)	0,50	Max pressure at Max speed (mmH2O)	53
Max absorbed current at Min speed (A)	0,40	Max pressure at Max speed (Pa)	519,9
Max absorbed power at Max speed (W)	110	Max RPM	2550
Max ambient temperature for continuous operation (°C)	60	Min RPM	1850
Power absorbed at 1st speed (W)	85	Pressure at 1st speed (mmH2O)	34
Voltage (V)	220-240	Pressure at 1st speed (Pa)	333,5
Weight (Kg)	5,9	Sound pressure at 3 m - min speed Lp [dB (A)] 3m - min speed	49,1
Airflow at 1st speed (l/s)	200	Sound pressure at 3m at Max speed Lp [dB (A)]	56,2

Dimensions



Size A (mm)	300
Size B (mm)	322
Size C (mm)	385
Size D (mm)	247
Size E (mm)	152,5
Size F (mm)	292
Size G (mm)	176,5
Size H (mm)	145
Size L (mm)	140
Size M (mm)	5,5

PER INFORMAZIONI / FOR INFORMATION

ITALY

Pre Sales:
prevendita@vortice-italy.com
After Sales:
postvendita@vortice-italy.com

UNITED KINGDOM & REP. OF

IRELAND
Sales Dept:
sales@vortice.ltd.uk
Technical Dept:
technical@vortice.ltd.uk

OTHER COUNTRIES

Sales Dept:
export@vortice-italy.com
After Sales:
after-sales@vortice-italy.com

Technical Data Sheet

CODE 17197

LINEO 250 Q T

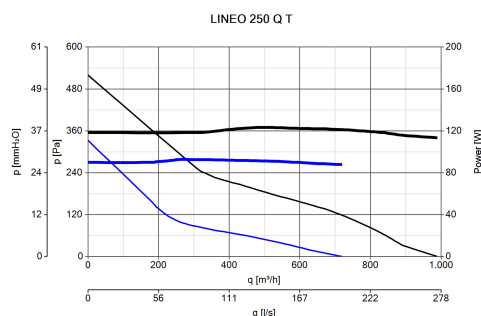
Mixed flow extractor fans



Description

- Enclosures made of fire resistant plastic resin, E2 class, according with ISO EN 11925-2: 2010, in areas close to motor and electrical components.
- Nominal diameter 250 mm.
- Induction motor, thermally protected, with shaft mounted on ball bearing supports, coupled with a centrifugal impeller.
- Equipped with an electronic timer for automatic operation at maximum speed, which can be set in the 3-20' range at the installation (default setting 3').
- High water resistance: IPX5 (if installed in a duct).
- Speed adjustable through Vortice speed devices.

Curves



Accessories



LINEO-G 250

Code 22706



LINEO-SF 500

Code 22593



IREM D

Code 12867



KIT SCB (TRASF.E.C.)

Code 22481



KIT SCB5 (TRASF.5 V.)

Code 22483



IN-LINE-S 250

Code 22571



LINEO-PF 250

Code 22583

PER INFORMAZIONI / FOR INFORMATION

ITALY

Pre Sales:
prevendita@vortice-italy.com
After Sales:

UNITED KINGDOM & REP. OF

IRELAND
Sales Dept:
sales@vortice.ltd.uk
Technical Dept:

OTHER COUNTRIES

Sales Dept:
export@vortice-italy.com
After Sales:

postvendita@vortice-italy.com

technical@vortice.ltd.uk

after-sales@vortice-italy.com