

Technical Data Sheet

CODE 17177

LINEO 200 T

Mixed flow extractor fans



Certifications



CB TEST CERTIFICATE

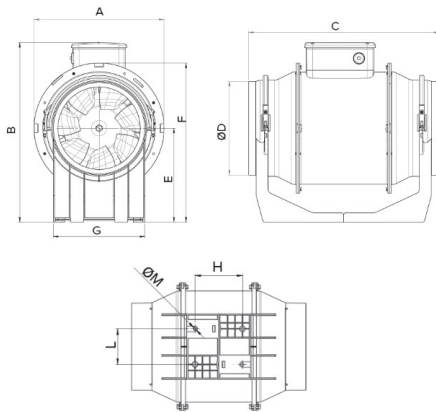
Technical and performance data

Frequency (Hz)	50-60	Max airflow at Min speed at 60 Hz (m ³ /h)	640
Insulation class	II°	Max pressure at 60 Hz (mmH2O)	37,2
IP	X5	Max pressure at Max speed (mmH2O)	30
Max absorbed current at maMinx speed at 60 Hz (A)	0,35	Max pressure at Max speed (Pa)	294,2
Max absorbed current at Max speed (A)	0,49	Max pressure at Max speed at 60Hz (Pa)	364,8
Max absorbed current at Max speed at 60 Hz (A)	0,70	Max pressure at Mid speed (mmH2O)	27,3
Max absorbed current at Mid speed (A)	0,42	Max pressure at Mid speed (Pa)	267,7
Max absorbed current at Mid speed at 60 Hz (A)	0,50	Max pressure at Mid speed at 60Hz (mmH2O)	25,2
Max absorbed current at Min speed (A)	0,34	Max pressure at Mid speed at 60Hz (Pa)	247,1
Max absorbed power at Max speed (W)	110	Max pressure at Min speed at 60Hz (mmH2O)	14,4
Max absorbed power at Max speed at 60 Hz (W)	155	Max pressure at Min speed at 60Hz (Pa)	141,2
Max absorbed power at Mid speed (W)	95	Max RPM	2710
Max absorbed power at Mid speed at 60 Hz (W)	115	Max speed at 60 Hz (Rpm)	2780
Max absorbed power at Min speed at 60 Hz (W)	85	Mid speed at 60 Hz (Rpm)	2080
Max ambient temperature for continuous operation (°C)	50	Min RPM	1925
Max continuous operation room temperature at 60 Hz (°C)	45	Min speed at 60 Hz (Rpm)	1540
Nominal diameter (mm)	200	Potenza sonora at supply side at Min speed LWA [dB (A)]	78,6
Power absorbed at 1st speed (W)	80	Pressure at 1st speed (mmH2O)	21,5
Voltage (V)	220-240	Pressure at 1st speed (Pa)	210,9
Weight (Kg)	4,9	RPM at Mid speed	2450
Airflow at 1st speed (l/s)	226,4	Sound power at extract side at Max speed LWA [dB (A)]	89,5
Airflow at 1st speed (m ³ /h)	815	Sound power at extract side at Mid speed LWA [dB (A)]	86,4
Breakout sound power at Max speed at 60 Hz LWA [dB (A)]	65,9	Sound power at extract side at Min speed LWA [dB (A)]	80
Breakout sound power at Mid speed at 60 Hz LWA [dB (A)]	59,2	Sound power at supply side at Max speed LWA [dB (A)]	88,2
Breakout sound power at Min speed at 60 Hz LWA [dB (A)]	52,1	Sound power at supply side at Mid speed LWA [dB (A)]	74,9
Breakout sound power LWA at Max speed [dB (A)]	67,5	Sound powerat at extraction side at Max speed at 60 Hz LWA [dB (A)]	89,9
Breakout sound power LWA at Mid speed [dB (A)]	63,7	Sound powerat at extraction side at Mid speed at 60 Hz LWA [dB (A)]	82,6
Breakout sound power LWA at Min speed [dB (A)]	57,4	Sound powerat at extraction side at Min speed at 60 Hz LWA [dB (A)]	74,9
breakout sound pressure at 3m at Max speed at 60 Hz Lp [dB (A)]	45,4	Sound powerat at supply side at Max speed at 60 Hz LWA [dB (A)]	88,9
Breakout sound pressure at 3m at Max speed Lp [dB (A)]	46,9	Sound powerat at supply side at Mid speed at 60 Hz LWA [dB (A)]	81,7
breakout sound pressure at 3m at Mid speed at 60 Hz Lp [dB (A)]	38,7	Sound powerat at supply side at Min speed at 60 Hz LWA [dB (A)]	73,5
Breakout sound pressure at 3m at Mid speed Lp [dB (A)]	43,1	Sound pressure at extract side at 3m at Max speed at 60 HzLp [dB (A)]	72,4
breakout sound pressure at 3m at Min speed at 60 Hz Lp [dB (A)]	31,6	Sound pressure at extract side at 3m at Max speed Lp [dB (A)]	72
Breakout sound pressure at 3m at Min speed Lp [dB (A)]	36,9	Sound pressure at extract side at 3m at Mid speed at 60 HzLp [dB (A)]	64,2
		Sound pressure at extract side at 3m at Mid speed Lp [dB (A)]	68,8

Max airflow at Max speed (l/s)	315,3
Max airflow at Max speed (m³/h)	1135
Max airflow at Max speed at 60 Hz (l/s)	325
Max airflow at Max speed at 60 Hz (m³/h)	1170
Max airflow at Mid speed (m³/h)	1025
Max airflow at Mid speed at 60 Hz (l/s)	243,1
Max airflow at Mid speed at 60 Hz (m³/h)	875
Max airflow at Min speed (l/s)	284,7
Max airflow at Min speed at 60 Hz (l/s)	37,2

Sound pressure at extract side at 3m at Min speed at 60 HzLp [dB (A)]	57,3
Sound pressure at extract side at 3m at Min speed Lp [dB (A)]	62,5
Sound pressure at suply side at 3m at Max speed Lp [dB (A)]	70,7
Sound pressure at suply side at 3m at Mid speed Lp [dB (A)]	67,4
Sound pressure at suply side at 3m at Min speed Lp [dB (A)]	61,1
Sound pressure at supply side at 3m at Max speed at 60 HzLp [dB (A)]	71,4
Sound pressure at supply side at 3m at Mid speed at 60 HzLp [dB (A)]	65,1
Sound pressure at supply side at 3m at Min speed at 60 HzLp [dB (A)]	55,9

Dimensions



Size A (mm)	270
Size B (mm)	373
Size C (mm)	396
Size D (mm)	Ø
	194,5
Size E (mm)	195
Size F (mm)	330
Size G (mm)	190
Size H (mm)	120
Size L (mm)	155
Size M (mm)	Ø 5,5
Size N (mm)	280

PER INFORMAZIONI / FOR INFORMATION

ITALY

Pre Sales:
prevendita@vortice-italy.com
 After Sales:
postvendita@vortice-italy.com

UNITED KINGDOM & REP. OF

IRELAND
 Sales Dept:
sales@vortice.ltd.uk
 Technical Dept:
technical@vortice.ltd.uk

OTHER COUNTRIES

Sales Dept:
export@vortice-italy.com
 After Sales:
after-sales@vortice-italy.com

Technical Data Sheet

CODE 17177

LINEO 200 T

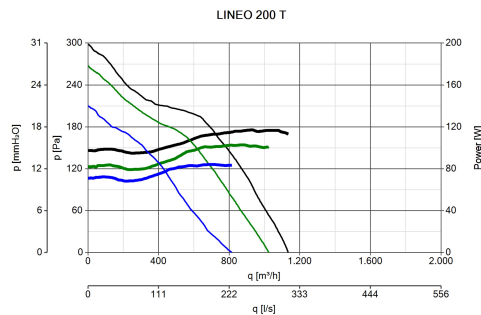
Mixed flow extractor fans



Description

- Enclosures made of fire resistant plastic resin, E2 class, according with ISO EN 11925-2: 2010, in areas close to motor and electrical components.
- Nominal diameter 200 mm.
- Induction motor, thermally protected, with shaft mounted on ball bearing supports, coupled with a centrifugal impeller.
- Equipped with an electronic timer for automatic operation at maximum speed, which can be set in the 3-20' range at the installation (default setting 3').
- High water resistance: IPX5 (if installed in a duct).
- Speed adjustable through Vortice speed devices.

Curves



Accessories

PER INFORMAZIONI / FOR INFORMATION



TRIO-LINEO

503

Code 12891

ITALY
Pre Sales:
prevendita@vortice-italy.com
After Sales:
postvendita@vortice-italy.com

OTHER COUNTRIES
Sales Dept:
export@vortice-italy.com
After Sales:
after-sales@vortice-italy.com

UNITED KINGDOM & REP. OF
IRELAND
Sales Dept:
sales@vortice.ltd.uk
Technical Dept:
technical@vortice.ltd.uk