

Technical Data Sheet

CODE 17185

LINEO 100 T

Mixed flow extractor fans



Certifications

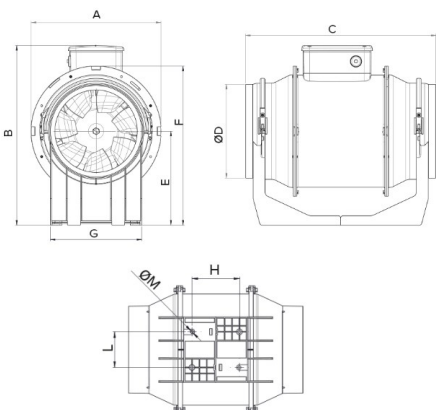


CB TEST CERTIFICATE

Technical and performance data

Frequency (Hz)	50	Airflow at 1st speed (l/s)	50
Insulation class	II ^o	Airflow at 1st speed (m ³ /h)	180
IP	44	Max airflow at Max speed (l/s)	70,8
Max absorbed current at Max speed (A)	0,11	Max airflow at Max speed (m ³ /h)	255
Max absorbed current at Min speed (A)	0,09	Max pressure at Max speed (mmH2O)	16,5
Max absorbed power at Max speed (W)	23	Max pressure at Max speed (Pa)	161,9
Max ambient temperature for continuous operation (°C)	60	Max RPM	2030
Nominal diameter (mm)	100	Min RPM	1520
Power absorbed at 1st speed (W)	20	Pressure at 1st speed (mmH2O)	13
Voltage (V)	220-240	Pressure at 1st speed (Pa)	127,5
Weight (Kg)	2	Sound pressure at 3 m - min speed Lp [dB (A)]	30,7
		Sound pressure at 3m at Max speed Lp [dB (A)]	39,4

Dimensions



Size A (mm)	188,5
Size B (mm)	211
Size C (mm)	303
Size D (mm)	96
Size E (mm)	101,5
Size F (mm)	189
Size G (mm)	90
Size H (mm)	80
Size L (mm)	60
Size M (mm)	5,5

PER INFORMAZIONI / FOR INFORMATION

ITALY

Pre Sales:
prevendita@vortice-italy.com
After Sales:
postvendita@vortice-italy.com

UNITED KINGDOM & REP. OF

IRELAND
Sales Dept:
sales@vortice.ltd.uk
Technical Dept:
technical@vortice.ltd.uk

OTHER COUNTRIES

Sales Dept:
export@vortice-italy.com
After Sales:
after-sales@vortice-italy.com

Technical Data Sheet

CODE 17185

LINEO 100 T

Mixed flow extractor fans

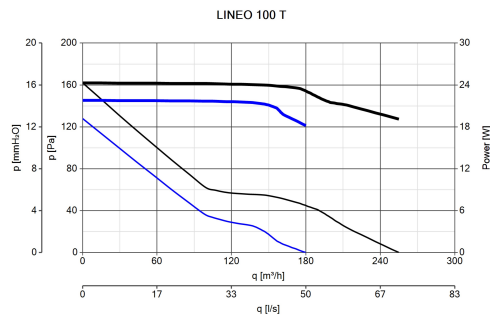


Description

- Enclosures made of fire resistant plastic resin, E2 class, according with ISO EN 11925-2: 2010, in areas close to motor and electrical components.
- Nominal diameter 100 mm.
- Induction motor, thermally protected, with shaft mounted on ball bearing supports, coupled with a centrifugal impeller.

- Equipped with an electronic timer for automatic operation at maximum speed, which can be set in the 3-20' range at the installation (default setting 3').
- High water resistance: IPX5 (if installed in a duct).
- Speed adjustable through Vortice speed devices.

Curves



Accessories



DUO

Code 22914



LINEO-G 100

Code 22701



LINEO-PF 100

Code 22577



IN-LINE-S 100

Code 22551



LINEO-C 100

Code 22584

PER INFORMAZIONI / FOR INFORMATION

ITALY

Pre Sales:
prevendita@vortice-italy.com
After Sales:
postvendita@vortice-italy.com

UNITED KINGDOM & REP. OF

IRELAND
Sales Dept:
sales@vortice.ltd.uk
Technical Dept:
technical@vortice.ltd.uk

OTHER COUNTRIES

Sales Dept:
export@vortice-italy.com
After Sales:
after-sales@vortice-italy.com

