

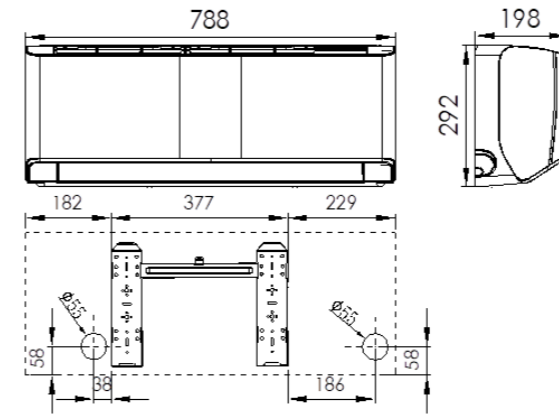
Specification

Model	Indoor		AMWM-H07/4R3C(H*)	AMWM-H09/4R3C(H*)	AMWM-H12/4R3C(H*)
Capacity	Cooling	Btu/h	7000(3855-9220)	9000(4780-11260)	12000(5800-12625)
		kW	2.05(1.13-2.70)	2.64(1.40-3.30)	3.52(1.70-3.70)
	Heating	Btu/h	8000(3340-8530)	10000(4095-10240)	13000(6930-15080)
		kW	2.35(0.98-2.50)	2.93(1.20-3.00)	3.81(2.03-4.42)
Electric Data	Power Supply	V~,Hz,Ph	220~240,50,1	220~240,50,1	220~240,50,1
	Cooling Power Input	W	40	40	40
	Heating Power Input	W	40	40	40
Performance	Air Flow Volume	CFM	353	353	353
		m3/h	600	600	600
	Sound Pressure Noise Level	dB(A)	40/38/34	40/38/34	41/39/35
	Sound Power Noise Level	dB(A)	55	55	55
Dimension	Net Dimension (W*D*H)	mm	788*292*198	788*292*198	788*292*198
	Packing Dimension (W*D*H)	mm	880*370*290	880*370*290	880*370*290
Weight	Net	kg	8.0	8.0	8.0
	Gross	kg	10.0	10.0	10.0
Pipe Diameter	Liquid Side	mm(inch)	6.35(1/4)	6.35(1/4)	6.35(1/4)
	Gas Side	mm(inch)	9.52(3/8)	9.52(3/8)	9.52(3/8)
	Drainage	mm	16.9	16.9	16.9
Stuffing Quantity	20/40/40H	unit	330/689/778	330/689/778	330/689/778

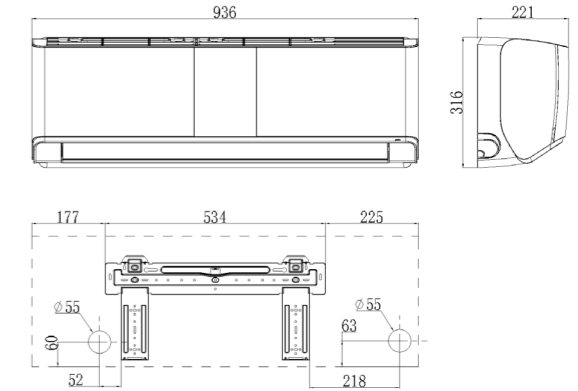
Model	Indoor		AMWM-H18/4R3C(H*)	AMWM-H24/4R3A(H*)
Capacity	Cooling	Btu/h	17980(8530-19790)	23542(9895~24908)
		kW	5.27(2.50-5.80)	6.90(2.90~7.30)
	Heating	Btu/h	18350(7680-19790)	24054(7165~27296)
		kW	5.38(2.25-5.80)	7.05(2.10~8.00)
Electric Data	Power Supply	V~,Hz,Ph	220~240,50,1	220~240,50,1
	Cooling Power Input	W	63	63(16~88)
	Heating Power Input	W	63	63(16~88)
Performance	Air Flow Volume	CFM	530	765
		m3/h	900	1300
	Sound Pressure Noise Level	dB(A)	46/42/36	46/42/37
	Sound Power Noise Level	dB(A)	58	62
Dimension	Net Dimension (W*D*H)	mm	936*316*221	1121*329*231
	Packing Dimension (W*D*H)	mm	1010*385*307	1210*400*327
Weight	Net	kg	10.5	15.0
	Gross	kg	13.0	18.0
Pipe Diameter	Liquid Side	mm(inch)	6.35(1/4)	6.35(1/4)
	Gas Side	mm(inch)	12.7(1/2)	15.88(5/8)
	Drainage	mm	16.9	16.9
Stuffing Quantity	20/40/40H	unit	262/532/602	196/400/464

Dimension

AMWM-H07/4R3C(H*) AMWM-H09/4R3C(H*)
AMWM-H12/4R3C(H*)



AMWM-H18/4R3C(H*)



AMWM-H24/4R3A(H*)

