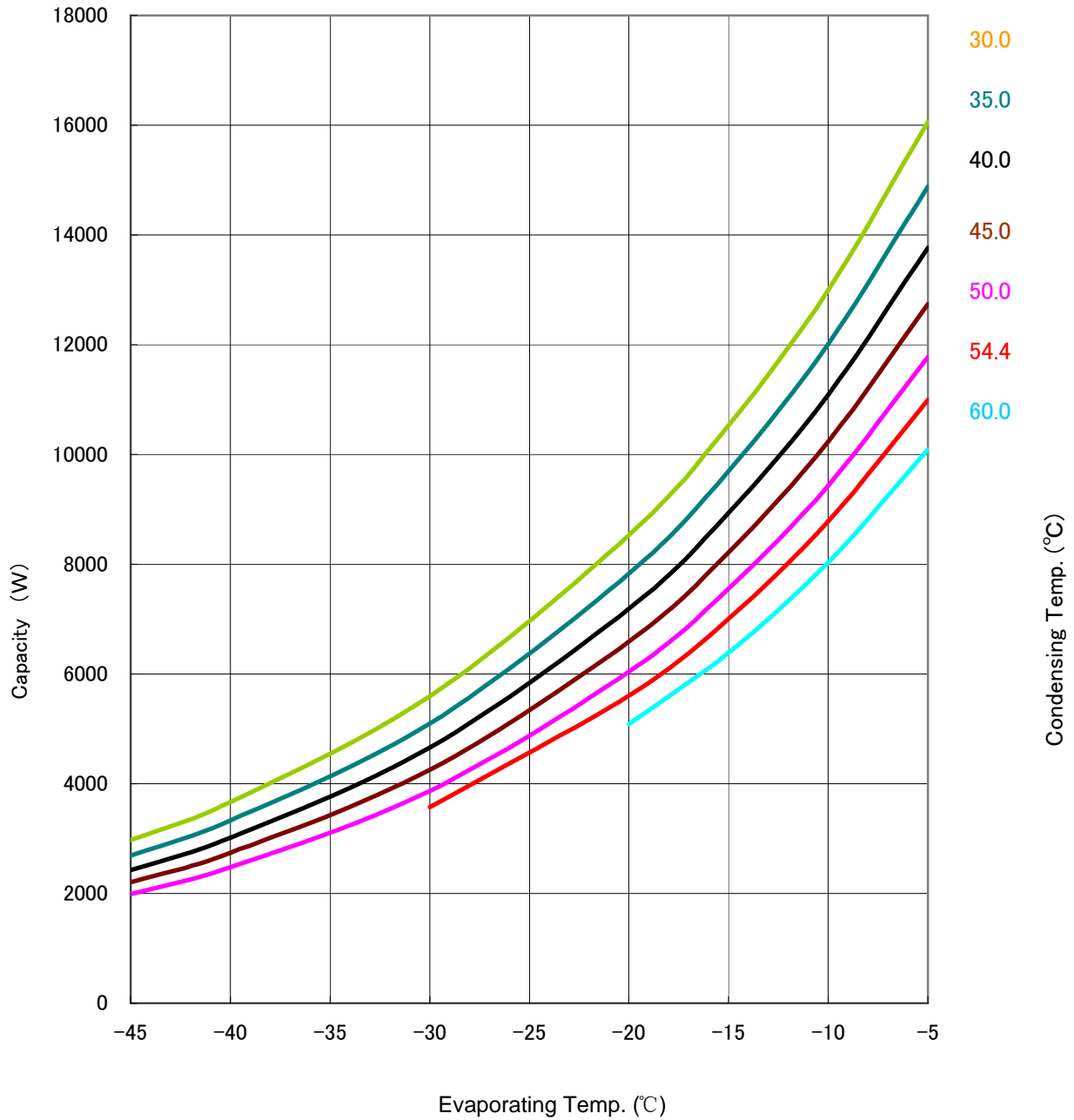


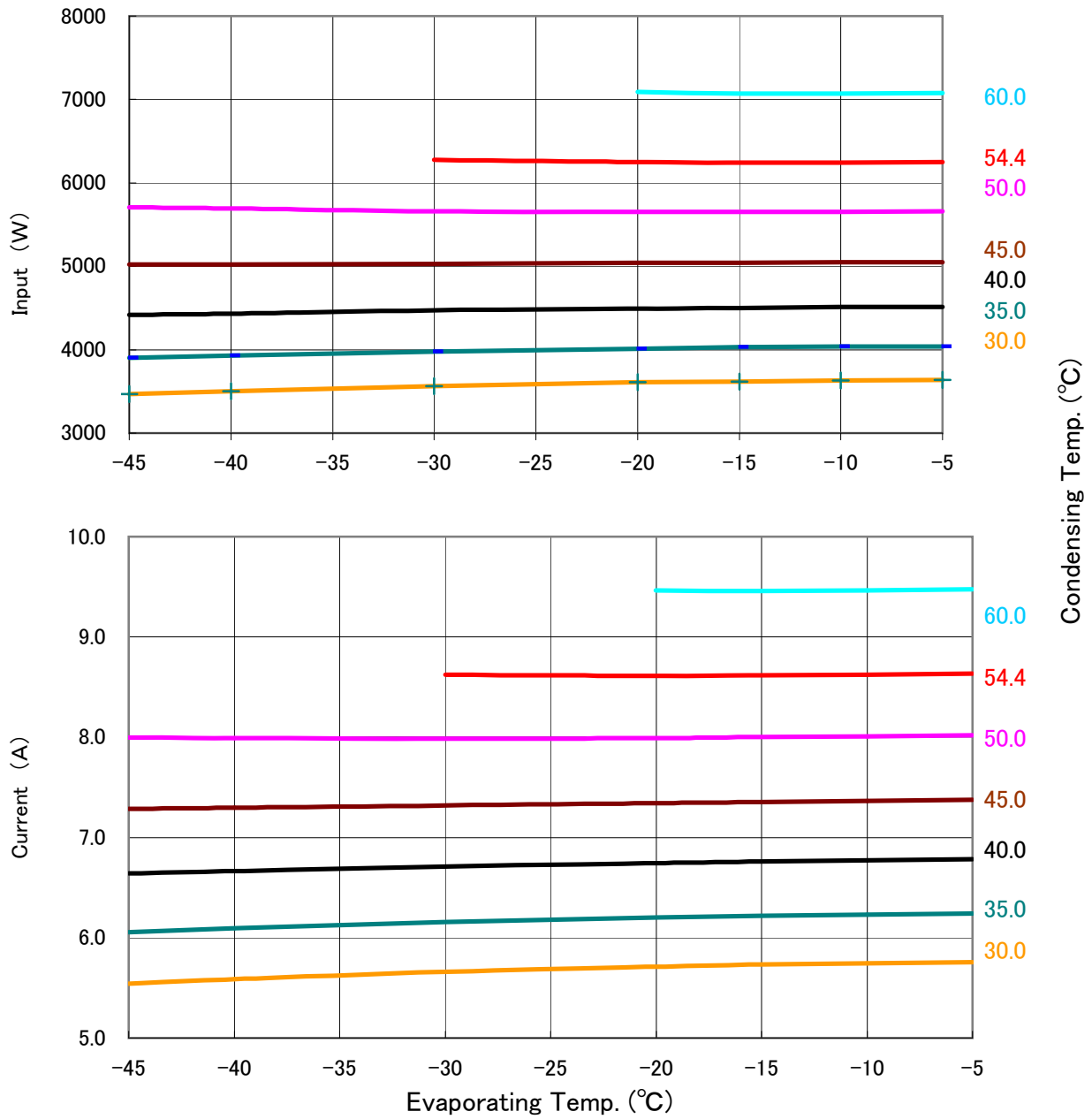
# PERFORMANCE CURVE

Code No.	C-SBN453L8A
Power Source	3-PH 50Hz 380V
Condensing Temp.(°C)	30、35、40、45、50、54.4、60
Suction Gas Temp(°C)	18.3
Sub Cooled(K)	0
Compressor Cooling	Liquid Injection
Refrigerant	R404A



# PERFORMANCE CURVE

Code No.	C-SBN453L8A
Power Source	3-PH 50Hz 380V
Condensing Temp.(°C)	30、35、40、45、50、54.4、60
Suction Gas Temp(°C)	18.3
Sub Cooled(K)	0
Compressor Cooling	Liquid Injection
Refrigerant	R404A



# PERFORMANCE DATA

Code No.	C-SBN453L8A
Power Source	3-PH 50Hz 380V
Condensing Temp.(°C)	30、35、40、45、50、54.4、60
Suction Gas Temp(°C)	18.3
Sub Cooled(K)	0
Compressor Cooling	Liquid Injection
Refrigerant	R404A

Capacity (W)

		Evaporating Temp. (°C)						
		-45	-40	-30	-20	-15	-10	-5
Condensing Temp. (°C)	30	2,970	3,670	5,590	8,530	10,530	13,000	16,060
	35	2,690	3,330	5,100	7,830	9,700	12,010	14,880
	40.0	2,430	3,020	4,660	7,190	8,930	11,090	13,770
	45.0	2,200	2,740	4,250	6,590	8,210	10,230	12,740
	50.0	1,990	2,480	3,870	6,040	7,550	9,430	11,780
	54.4			3,570	5,600	7,010	8,780	11,000
	60.0				5,090	6,390	8,030	10,090

Input (W)

		Evaporating Temp. (°C)						
		-45	-40	-30	-20	-15	-10	-5
Condensing Temp. (°C)	30	3,470	3,500	3,560	3,610	3,620	3,630	3,640
	35	3,900	3,930	3,980	4,010	4,030	4,040	4,040
	40.0	4,420	4,430	4,470	4,490	4,500	4,510	4,510
	45.0	5,020	5,020	5,030	5,040	5,040	5,050	5,050
	50.0	5,710	5,690	5,660	5,650	5,650	5,650	5,660
	54.4			6,280	6,250	6,240	6,240	6,250
	60.0				7,090	7,070	7,070	7,080

Current (A)

		Evaporating Temp. (°C)						
		-45	-40	-30	-20	-15	-10	-5
Condensing Temp. (°C)	30	5.5	5.6	5.7	5.7	5.7	5.7	5.8
	35	6.1	6.1	6.2	6.2	6.2	6.2	6.2
	40.0	6.6	6.7	6.7	6.7	6.8	6.8	6.8
	45.0	7.3	7.3	7.3	7.3	7.4	7.4	7.4
	50.0	8.0	8.0	8.0	8.0	8.0	8.0	8.0
	54.4			8.6	8.6	8.6	8.6	8.6
	60.0				9.5	9.5	9.5	9.5

## Coefficients of Polynomial Formula

	Capacity (W)	Input (W)	Current (A)
C1	2.975966E+04	2.496426E+03	3.871336E+00
C2	1.078126E+03	-1.940972E+01	-1.362039E-02
C3	-3.809301E+02	-7.242867E-01	3.192540E-02
C4	1.591208E+01	-4.308248E-01	-3.797404E-04
C5	-1.012808E+01	8.208502E-01	5.864764E-04
C6	1.597773E+00	1.284462E+00	1.027409E-03
C7	9.182252E-02	-2.518458E-04	-2.221744E-08
C8	-7.788931E-02	9.960580E-03	8.688326E-06
C9	2.664297E-02	-7.608682E-03	-4.957877E-06
C10	2.712431E-08	-8.570139E-09	-8.006501E-12

Note: The polynomial coefficients subject to change without notice.

$$X = C1 + C2*(S) + C3*D + C4*(S^2) + C5*(S*D) + C6*(D^2) + C7*(S^3) + C8*(D*S^2) + C9*(S*D^2) + C10*(D^3)$$

X—CAPACITY(W) OR POWER(W) OR CURRENT(A)

S—EVAPORATING TEMP, °C

D—CONDENSING TEMP, °C

## WIRING DIAGRAM

C-SB Series 3 phase

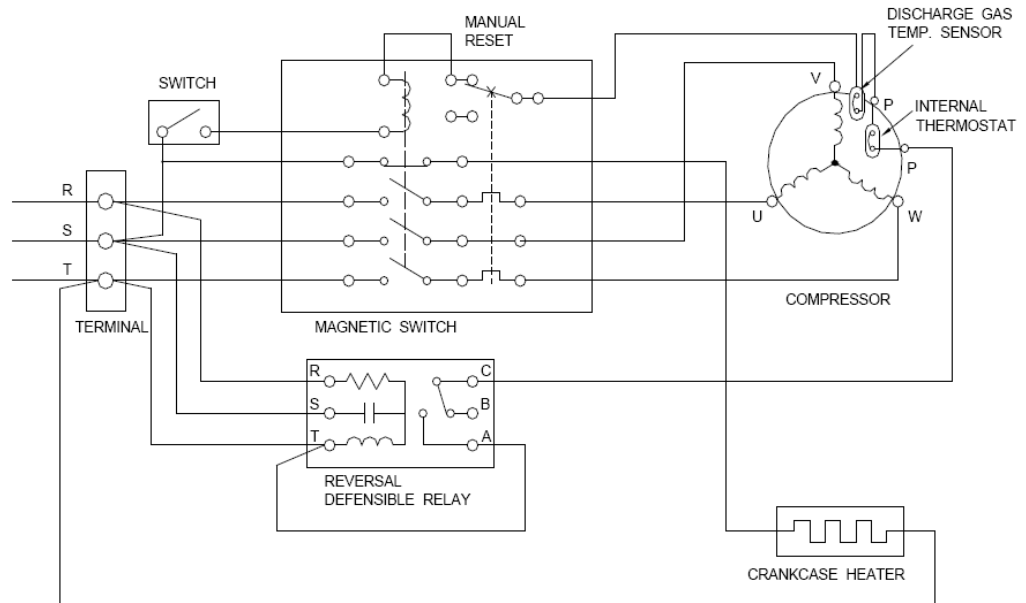
2.6-4.5kw

chinese and Europe

power supply

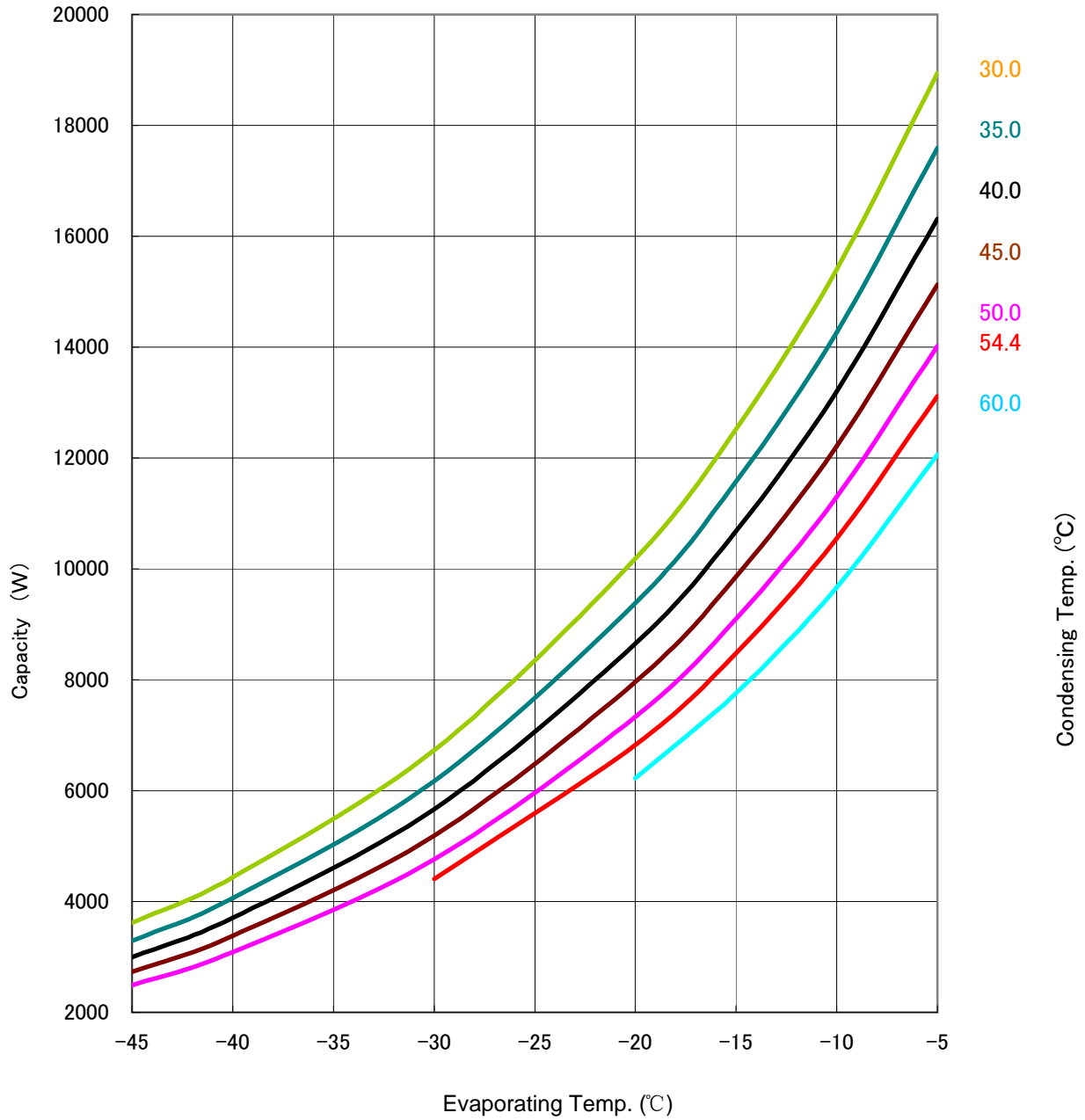
specifications

models



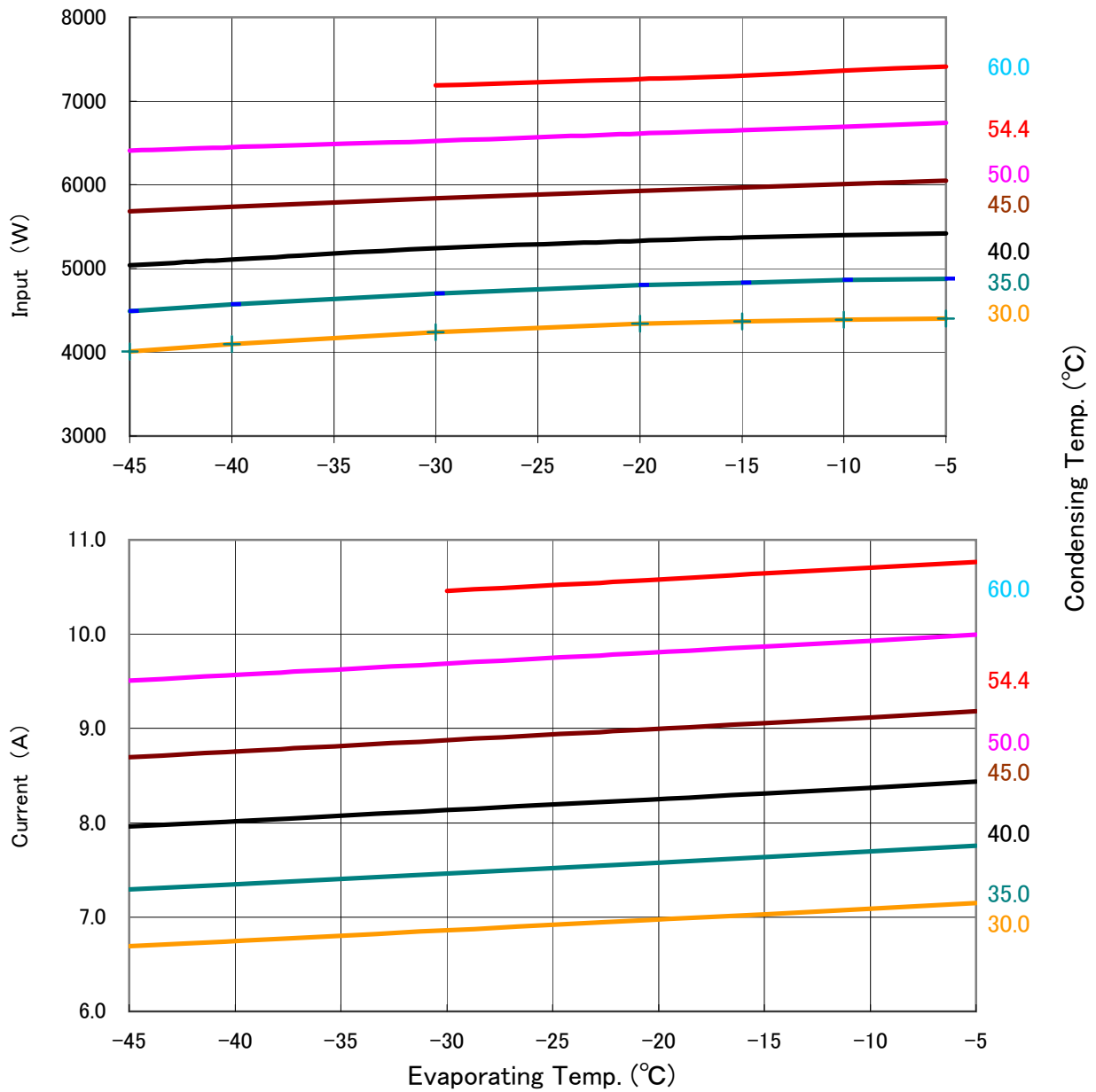
# PERFORMANCE CURVE

Code No.	C-SBN453L8A
Power Source	3-PH 60Hz 440V
Condensing Temp.(°C)	30、35、40、45、50、54.4、60
Suction Gas Temp(°C)	18.3
Sub Cooled(K)	0
Compressor Cooling	Liquid Injection
Refrigerant	R404A



# PERFORMANCE CURVE

Code No.	C-SBN453L8A
Power Source	3-PH 60Hz 440V
Condensing Temp.(°C)	30、35、40、45、50、54.4、60
Suction Gas Temp(°C)	18.3
Sub Cooled(K)	0
Compressor Cooling	Liquid Injection
Refrigerant	R404A



# PERFORMANCE DATA

Code No.	C-SBN453L8A
Power Source	3-PH 60Hz 440V
Condensing Temp.(°C)	30、35、40、45、50、54.4、60
Suction Gas Temp(°C)	18.3
Sub Cooled(K)	0
Compressor Cooling	Liquid Injection
Refrigerant	R404A

Capacity (W)

		Evaporating Temp. (°C)						
		-45	-40	-30	-20	-15	-10	-5
Condensing Temp. (°C)	30	3,610	4,440	6,730	10,180	12,520	15,400	18,940
	35	3,290	4,060	6,170	9,380	11,570	14,260	17,590
	40.0	3,000	3,710	5,660	8,650	10,680	13,200	16,310
	45.0	2,730	3,380	5,190	7,960	9,860	12,210	15,130
	50.0	2,490	3,090	4,760	7,330	9,100	11,300	14,020
	54.4			4,410	6,820	8,480	10,550	13,120
	60.0				6,220	7,760	9,670	12,060

Input (W)

		Evaporating Temp. (°C)						
		-45	-40	-30	-20	-15	-10	-5
Condensing Temp. (°C)	30	4,010	4,100	4,240	4,340	4,370	4,390	4,400
	35	4,490	4,570	4,700	4,800	4,830	4,860	4,880
	40.0	5,040	5,110	5,240	5,330	5,370	5,400	5,420
	45.0	5,680	5,740	5,840	5,930	5,970	6,010	6,050
	50.0	6,410	6,450	6,520	6,610	6,650	6,690	6,740
	54.4			7,190	7,260	7,300	7,360	7,410
	60.0				8,170	8,220	8,280	8,350

Current (A)

		Evaporating Temp. (°C)						
		-45	-40	-30	-20	-15	-10	-5
Condensing Temp. (°C)	30	6.7	6.7	6.9	7.0	7.0	7.1	7.1
	35	7.3	7.3	7.5	7.6	7.6	7.7	7.8
	40.0	8.0	8.0	8.1	8.3	8.3	8.4	8.4
	45.0	8.7	8.8	8.9	9.0	9.1	9.1	9.2
	50.0	9.5	9.6	9.7	9.8	9.9	9.9	10.0
	54.4			10.5	10.6	10.6	10.7	10.8
	60.0				11.6	11.7	11.8	11.8