

Modulating damper actuator for adjusting dampers in technical building installations

- Air damper size up to approx. 0.4 m<sup>2</sup>
- Torque motor 2 Nm
- Nominal voltage AC/DC 24 V
- Control modulating 2...10 V
- Position feedback 2...10 V
- Running time motor 35 s


**Technical data**

|                        |  |   |
|------------------------|--|---|
| <b>Electrical data</b> | Nominal voltage                        | AC/DC 24 V  |
|                        | Nominal voltage frequency              | 50/60 Hz  |
|                        | Nominal voltage range                  | AC 19.2...28.8 V / DC 19.2...28.8 V   |
|                        | Power consumption in operation         | 1.5 W   |
|                        | Power consumption in rest position     | 0.4 W   |
|                        | Power consumption for wire sizing      | 3 VA  |
|                        | Connection supply / control            | Cable 1 m, 4 x 0.75 mm <sup>2</sup>   |
|                        | Parallel operation                     | Yes (note the performance data)   |
| <b>Functional data</b> | Torque motor                           | 2 Nm  |
|                        | Operating range Y                      | 2...10 V  |
|                        | Input impedance                        | 100 kΩ  |
|                        | Position feedback U                    | 2...10 V  |
|                        | Position feedback U note               | Max. 1 mA   |
|                        | Position accuracy                      | ±5%   |
|                        | Direction of motion motor              | selectable with switch 0/1  |
|                        | Direction of motion note               | Y = 0 V: At switch position 0 (ccw rotation) / 1 (cw rotation)  |
|                        | Manual override                        | with push-button, can be locked   |
|                        | Angle of rotation                      | Max. 95°  |
|                        | Angle of rotation note                 | can be limited on both sides with adjustable mechanical end stops   |
|                        | Running time motor                     | 35 s / 90°  |
|                        | Sound power level, motor               | 40 dB(A)  |
| Mechanical interface   | Universal shaft clamp 6...20 mm        |   |
| Position indication    | Mechanical, pluggable                  |   |
| <b>Safety data</b>     | Protection class IEC/EN                | III, Safety Extra-Low Voltage (SELV)  |
|                        | Power source UL                        | Class 2 Supply  |
|                        | Degree of protection IEC/EN            | IP54  |
|                        | Degree of protection NEMA/UL           | NEMA 2  |
|                        | Enclosure                              | UL Enclosure Type 2   |
|                        | EMC                                    | CE according to 2014/30/EU  |
|                        | Certification IEC/EN                   | IEC/EN 60730-1 and IEC/EN 60730-2-14  |
|                        | UL Approval                            | cULus according to UL60730-1A, UL60730-2-14 and CAN/CSA E60730-1<br>The UL marking on the actuator depends on the production site, the device is UL-compliant in any case |
|                        | Type of action                         | Type 1  |
|                        | Rated impulse voltage supply / control | 0.8 kV  |
|                        | Pollution degree                       | 3   |

|                    |                     |                             |
|--------------------|---------------------|-----------------------------|
| <b>Safety data</b> | Ambient humidity    | Max. 95% RH, non-condensing |
|                    | Ambient temperature | -30...50°C [-22...122°F]    |
|                    | Storage temperature | -40...80°C [-40...176°F]    |
|                    | Servicing           | maintenance-free            |
| <b>Weight</b>      | Weight              | 0.42 kg                     |

**Safety notes**


- This device has been designed for use in stationary heating, ventilation and air-conditioning systems and must not be used outside the specified field of application, especially in aircraft or in any other airborne means of transport.
- Outdoor application: only possible in case that no (sea) water, snow, ice, insolation or aggressive gases interfere directly with the device and that it is ensured that the ambient conditions remain within the thresholds according to the data sheet at any time.
- Only authorised specialists may carry out installation. All applicable legal or institutional installation regulations must be complied during installation.
- The device may only be opened at the manufacturer's site. It does not contain any parts that can be replaced or repaired by the user.
- Cables must not be removed from the device.
- To calculate the torque required, the specifications supplied by the damper manufacturers concerning the cross-section, the design, the installation situation and the ventilation conditions must be observed.
- The device contains electrical and electronic components and must not be disposed of as household refuse. All locally valid regulations and requirements must be observed.

**Product features**

|                                     |   |
|-------------------------------------|---|
| <b>Mode of operation</b>            | The actuator is connected with a standard control signal of 0...10 V and drives to the position defined by the control signal. Measuring voltage U serves for the electrical display of the damper position 0...100% and as control signal for other actuators. |
| <b>Simple direct mounting</b>       | Simple direct mounting on the damper shaft with a universal shaft clamp, supplied with an anti-rotation device to prevent the actuator from rotating.   |
| <b>Manual override</b>              | Manual override with push-button possible (the gear train is disengaged for as long as the button is pressed or remains locked).  |
| <b>Adjustable angle of rotation</b> | Adjustable angle of rotation with mechanical end stops.   |
| <b>High functional reliability</b>  | The actuator is overload protected, requires no limit switches and automatically stops when the end stop is reached.  |

**Accessories**

| Electrical accessories | Description  | Type     |
|------------------------|--|----------|
|                        | Auxiliary switch 1 x SPDT add-on                                     | S1A      |
|                        | Auxiliary switch 2 x SPDT add-on                                     | S2A      |
|                        | Feedback potentiometer 140 Ω add-on                                  | P140A    |
|                        | Feedback potentiometer 200 Ω add-on                                  | P200A    |
|                        | Feedback potentiometer 500 Ω add-on                                  | P500A    |
|                        | Feedback potentiometer 1 kΩ add-on                                   | P1000A   |
|                        | Feedback potentiometer 2.8 kΩ add-on                                 | P2800A   |
|                        | Feedback potentiometer 5 kΩ add-on                                   | P5000A   |
|                        | Feedback potentiometer 10 kΩ add-on                                  | P10000A  |
|                        | Signal converter voltage/current 100 kΩ 4...20 mA, Supply AC/DC 24 V | Z-UIC    |
|                        | Positioner for wall mounting   | SGA24    |
|                        | Positioner for built-in mounting                                     | SGE24    |
|                        | Positioner for front-panel mounting                                  | SGF24    |
|                        | Positioner for wall mounting   | CRP24-B1 |

| Mechanical accessories | Description   | Type       |
|------------------------|---|------------|
|                        | Shaft extension 170 mm Ø10 mm for damper shaft Ø 6...16 mm  | AV6-20     |
|                        | Shaft clamp one-sided, clamping range Ø6...20 mm, Multipack 20 pcs.                                 | K-ELA      |
|                        | Shaft clamp one-sided, clamping range Ø6...10 mm, Multipack 20 pcs.                                 | K-ELA10    |
|                        | Shaft clamp one-sided, clamping range Ø6...13 mm, Multipack 20 pcs.                                 | K-ELA13    |
|                        | Shaft clamp one-sided, clamping range Ø6...16 mm, Multipack 20 pcs.                                 | K-ELA16    |
|                        | Anti-rotation mechanism 180 mm, Multipack 20 pcs.   | Z-ARS180   |
|                        | Form fit insert 8x8 mm, Multipack 20 pcs.   | ZF8-LMA    |
|                        | Form fit insert 10x10 mm, Multipack 20 pcs.   | ZF10-LMA   |
|                        | Form fit insert 12x12 mm, Multipack 20 pcs.   | ZF12-LMA   |
|                        | Form fit insert 8x8 mm, with angle of rotation limiter and position indication, Multipack 20 pcs.   | ZFRL8-LMA  |
|                        | Form fit insert 10x10 mm, with angle of rotation limiter and position indication, Multipack 20 pcs. | ZFRL10-LMA |
|                        | Form fit insert 12x12 mm, with angle of rotation limiter and position indication, Multipack 20 pcs. | ZFRL12-LMA |
|                        | Position indicator, Multipack 20 pcs.   | Z-PI       |

Electrical installation



Supply from isolating transformer.

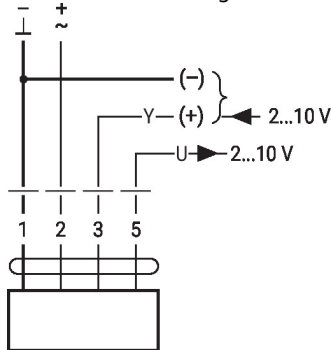
Parallel connection of other actuators possible. Observe the performance data.

Wire colours:

- 1 = black
- 2 = red
- 3 = white
- 5 = orange

Wiring diagrams

AC/DC 24 V, modulating

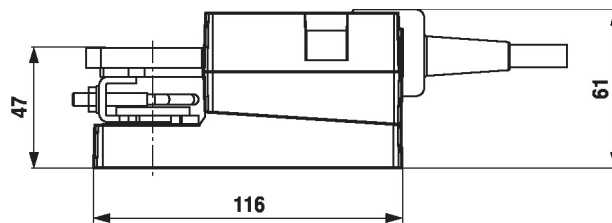


|   |   |      |  |  |
|---|---|------|--|--|
| 1 | 2 | 3    |  |  |
|   |   | 2 V  |  |  |
|   |   | 10 V |  |  |

Dimensions

Spindle length

|  |         |
|--|---------|
|  | Min. 37 |
|  | -       |



Clamping range

|        |    |     |
|--------|----|-----|
|        |    |     |
| 6...20 | ≥6 | ≤20 |

