

Rotary actuator fail-safe for adjusting dampers in technical building installations

- Air damper size up to approx. 4 m²
- Torque motor 20 Nm
- Nominal voltage AC 24...240 V / DC 24...125 V
- Control Open/close
- with 2 integrated auxiliary switches


Technical data

| | | |
|------------------------|--|---|
| Electrical data | Nominal voltage | AC 24...240 V / DC 24...125 V |
| | Nominal voltage frequency | 50/60 Hz |
| | Nominal voltage range | AC 19.2...264 V / DC 21.6...137.5 V |
| | Power consumption in operation | 7 W |
| | Power consumption in rest position | 3.5 W |
| | Power consumption for wire sizing | 18 VA |
| | Auxiliary switch | 2 x SPDT, 1 x 10% / 1 x 11...100% |
| | Switching capacity auxiliary switch | 1 mA...3 A (0.5 A inductive), DC 5 V...AC 250 V |
| | Connection supply / control | Cable 1 m, 2 x 0.75 mm ² |
| | Connection auxiliary switch | Cable 1 m, 6 x 0.75 mm ² |
| | Parallel operation | Yes (note the performance data) |
| Functional data | Torque motor | 20 Nm |
| | Torque fail-safe | 20 Nm |
| | Direction of motion motor | selectable by mounting L/R |
| | Direction of motion fail-safe | selectable by mounting L/R |
| | Manual override | by means of hand crank and locking switch |
| | Angle of rotation | Max. 95° |
| | Angle of rotation note | can be limited by adjustable mechanical end stop |
| | Running time motor | 75 s / 90° |
| | Running time fail-safe | <20 s @ -20...50°C / <60 s @ -30°C |
| | Sound power level, motor | 45 dB(A) |
| | Mechanical interface | Universal shaft clamp 10...25.4 mm |
| | Position indication | Mechanical |
| Service life | Min. 60'000 fail-safe positions | |
| Safety data | Protection class IEC/EN | II, reinforced insulation |
| | Protection class UL | II, reinforced insulation |
| | Protection class auxiliary switch IEC/EN | II, reinforced insulation |
| | Degree of protection IEC/EN | IP54 |
| | Degree of protection NEMA/UL | NEMA 2 |
| | Enclosure | UL Enclosure Type 2 |
| | EMC | CE according to 2014/30/EU |
| | Low voltage directive | CE according to 2014/35/EU |
| | Certification IEC/EN | IEC/EN 60730-1 and IEC/EN 60730-2-14 |
| | UL Approval | cULus according to UL60730-1A, UL60730-2-14 and CAN/CSA E60730-1 The UL marking on the actuator depends on the production site, the device is UL-compliant in any case |
| | Type of action | Type 1.AA.B |

| | | |
|--------------------|--|-----------------------------|
| Safety data | Rated impulse voltage supply / control | 4 kV |
| | Rated impulse voltage auxiliary switch | 2.5 kV |
| | Pollution degree | 3 |
| | Ambient humidity | Max. 95% RH, non-condensing |
| | Ambient temperature | -30...50°C [-22...122°F] |
| | Storage temperature | -40...80°C [-40...176°F] |
| | Servicing | maintenance-free |
| Weight | Weight | 2.3 kg |

Safety notes


- This device has been designed for use in stationary heating, ventilation and air-conditioning systems and must not be used outside the specified field of application, especially in aircraft or in any other airborne means of transport.
- Outdoor application: only possible in case that no (sea) water, snow, ice, insulation or aggressive gases interfere directly with the device and that it is ensured that the ambient conditions remain within the thresholds according to the data sheet at any time.
- Caution: Power supply voltage!
- Only authorised specialists may carry out installation. All applicable legal or institutional installation regulations must be complied during installation.
- The device may only be opened at the manufacturer's site. It does not contain any parts that can be replaced or repaired by the user.
- Cables must not be removed from the device.
- To calculate the torque required, the specifications supplied by the damper manufacturers concerning the cross-section, the design, the installation situation and the ventilation conditions must be observed.
- The two switches integrated in the actuator are to be operated either on power supply voltage or at safety extra-low voltage. The combination power supply voltage/safety extra-low voltage is not permitted.
- The device contains electrical and electronic components and must not be disposed of as household refuse. All locally valid regulations and requirements must be observed.

Product features

| | |
|-------------------------------------|--|
| Mode of operation | The actuator is equipped with a universal power supply module that can utilise supply voltages of AC 24...240 V and DC 24...125V. The actuator moves the damper to the operating position at the same time as tensioning the return spring. The damper is turned back to the fail-safe position by spring force when the supply voltage is interrupted. |
| Simple direct mounting | Simple direct mounting on the damper shaft with a universal shaft clamp, supplied with an anti-rotation device to prevent the actuator from rotating. |
| Manual override | By using the hand crank the damper can be actuated manually and engaged with the locking switch at any position. Unlocking is carried out manually or automatically by applying the operating voltage. |
| Adjustable angle of rotation | Adjustable angle of rotation with mechanical end stops. |
| High functional reliability | The actuator is overload protected, requires no limit switches and automatically stops when the end stop is reached. |
| Flexible signalling | The actuator has one auxiliary switch with a fixed setting and one adjustable auxiliary switch. They permit a 10% or 11...100% angle of rotation to be signaled. |

Accessories

| Electrical accessories | Description | Type |
|------------------------|------------------------------|----------|
| | Auxiliary switch 2 x SPDT | S2A-F |
| | Feedback potentiometer 200 Ω | P200A-F |
| | Feedback potentiometer 1 kΩ | P1000A-F |

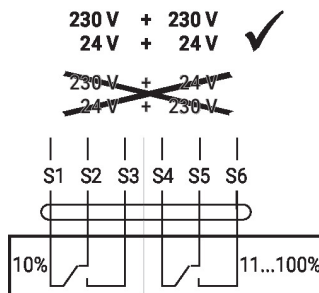
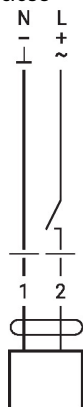
| Mechanical accessories | Description | Type |
|------------------------|--|------------|
| | Shaft extension 240 mm Ø20 mm for damper shaft Ø 8...22.7 mm | AV8-25 |
| | End stop indicator | IND-AFB |
| | Shaft clamp reversible, for central mounting, for damper shafts Ø12.7 / 19.0 / 25.4 mm | K7-2 |
| | Ball joint suitable for damper crank arm KH8 / KH10, Multipack 10 pcs. | KG10A |
| | Ball joint suitable for damper crank arm KH8, Multipack 10 pcs. | KG8 |
| | Damper crank arm Slot width 8.2 mm, clamping range Ø10...18 mm | KH8 |
| | Actuator arm, for 3/4" shafts, clamping range Ø10...22 mm, Slot width 8.2 mm | KH-AFB |
| | Form fit insert 10x10 mm, Multipack 20 pcs. | ZF10-NSA-F |
| | Form fit insert 12x12 mm, Multipack 20 pcs. | ZF12-NSA-F |
| | Form fit insert 15x15 mm, Multipack 20 pcs. | ZF15-NSA-F |
| | Form fit insert 16x16 mm, Multipack 20 pcs. | ZF16-NSA-F |
| | Mounting kit for linkage operation for flat and side installation | ZG-AFB |
| | Base plate extension | Z-SF |
| | Anti-rotation mechanism 230 mm, Multipack 20 pcs. | Z-ARS230L |
| | Hand crank 63 mm | ZKN2-B |

Electrical installation

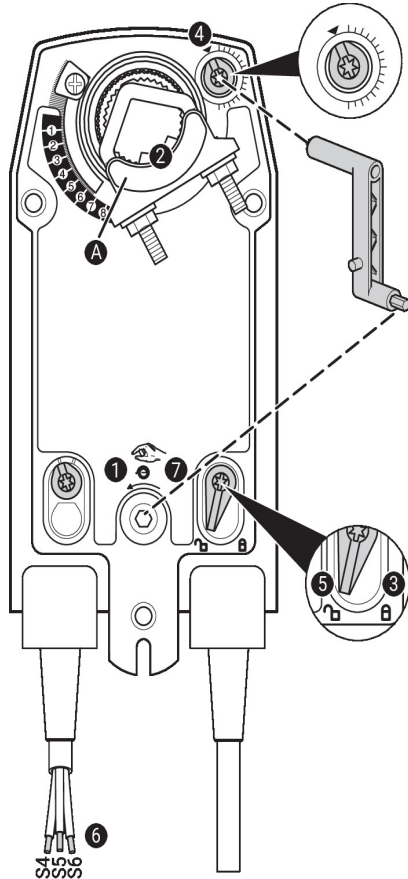
Caution: Power supply voltage!
Parallel connection of other actuators possible. Observe the performance data.
Wire colours:

- 1 = blue
- 2 = brown
- S1 = violet
- S2 = red
- S3 = white
- S4 = orange
- S5 = pink
- S6 = grey

Wiring diagrams

 AC 24...240 V / DC 24...125 V, open/ Auxiliary switch
 close


Operating controls and indicators



Auxiliary switch settings

Note: Perform settings on the actuator only in deenergised state.

For the auxiliary switch position settings, carry out points **1** to **7** successively.

- 1 Manual override**
Turn the hand crank until the desired switching position is set.
- 2 Shaft clamp**
Edge line **A** displays the desired switching position of the actuator on the scale.
- 3 Fasten the locking device**
Turn the locking switch to the „Locked padlock“ symbol.
- 4 Auxiliary switch**
Turn rotary knob until the notch points to the arrow symbol.
- 5 Unlock the locking device**
Turn the locking switch to the „Unlocked padlock“ symbol or unlock with the hand crank.
- 6 Cable**
Connect continuity tester to S4 + S5 or to S4 + S6.
- 7 Manual override**
Turn the hand crank until the desired switching position is set and check whether the continuity tester shows the switching point.

Dimensions

Spindle length

| | |
|--|---------|
| | Min. 85 |
| | Min. 15 |

Clamping range

| | | | |
|--|-----------|---------|-----------|
| | | | |
| | 10...22 | 10 | 14...25.4 |
| | | | |
| | 19...25.4 | 12...18 | |

