

# Technical Data Sheet

CODE 42357

A-E 254 T

Compact plate axial fans



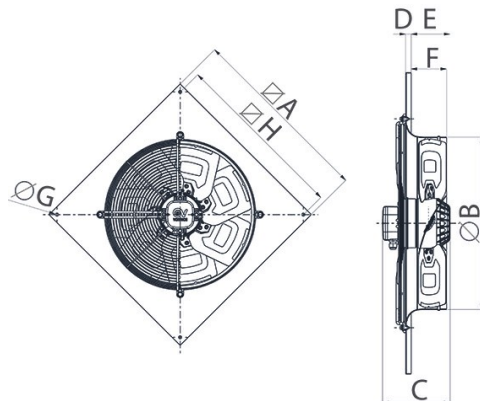
## Certifications



## TECHNICAL AND PERFORMANCE DATA

Absorbed Current max (A)	0,22	Voltage (V)	380-415
Absorbed Power max (W)	50,0	Weight (Kg)	2,5
Frequency (Hz)	50	Delivery max (l/s)	218
Insulation Class	1°	Delivery max (m³/h)	785
IP	54	Pressure max - max speed (mmH20)	13,5
Max ambient temperature for continuous operation (°C)	50	Pressure max (Pa)	134
Motor IP protection	54	RPM	1400
Nominal Diameter (mm)	250	Sound power level Lw [dB(A)]	59,5
Number of Phases (Ph)	3	Sound pressure level Lp in free field [dB(A)] 1 m	48,5
Number of Poles	4	Sound pressure level Lp in free field [dB(A)] 3 m	39,0

## DIMENSIONS



Size A (mm)	320
Size B (mm)	264
Size C (mm)	149
Size D (mm)	10
Size F (mm)	82
Size G (mm)	8
Size H (mm)	280

### PER INFORMAZIONI:

Servizio al Cliente: tel +39 02 90699395 premendo 1 dopo messaggio registrato (consulenza su prodotti e impianti)

Pre & Post Vendita: fax +39 02 90699302

Email prevendita: [prevendita@vortice-italy.com](mailto:prevendita@vortice-italy.com)

# Technical Data Sheet

CODE 42357

A-E 254 T

Compact plate axial fans

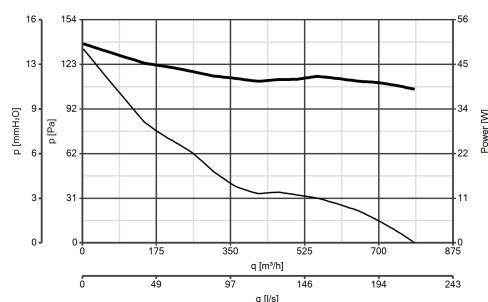


## DESCRIPTION

- Nominal diameter 250 mm
- Panels made of pressed steel, phosphated and epoxy powder coated with hammered effect finish, guaranteeing long-term resistance to atmospheric agents.
- Ventilation port fashioned in one piece with the panel, gauged to optimize air flow, aerodynamically contoured and elongated to optimize performance and facilitate connection to the relative duct.
- Protective grille (in accordance with UNI ISO 13857 standard) combining the function of motor bracket, made of electrically welded steel with epoxy paint finish, colour black. Easy removal simplifies

- maintenance and cleaning of the fan.
- 1 speed three-phase AC motor of external rotor type designed to minimize axial dimensions, with shaft turning in ball bearings, insulation class F, thermal overload protection.
- Maximum air flow 785 m<sup>3</sup>/h
- Dynamically balanced impeller (UNI ISO 1940, Point 1 – Class 6.3); 5 pressed steel blades, electrolytically galvanized and polyester powder-coated, colour black.
- Vortice speed controller.

## CURVES



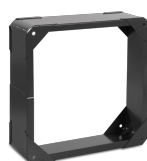
## ACCESSORIES



**PGR 250**  
**(PERSIANA**  
**GRAVITA')**  
Code 50150



**TRA 250**  
**(TELAIO CON**  
**RETE ANTINF.)**  
Code 51150



**DPU 250**  
**(DISTANZIATORE)**  
Code 52151



**IRET INVERTER**  
**2,5 M**  
Code 12816

### PER INFORMAZIONI:

Servizio al Cliente: tel +39 02 90699395 premendo 1 dopo messaggio registrato (consulenza su prodotti e impianti)

Pre & Post Vendita: fax +39 02 90699302

Email prevendita: [prevendita@vortice-italy.com](mailto:prevendita@vortice-italy.com)