

Technical Data Sheet

CODE 42356

A-E 566 M

Compact plate axial fans



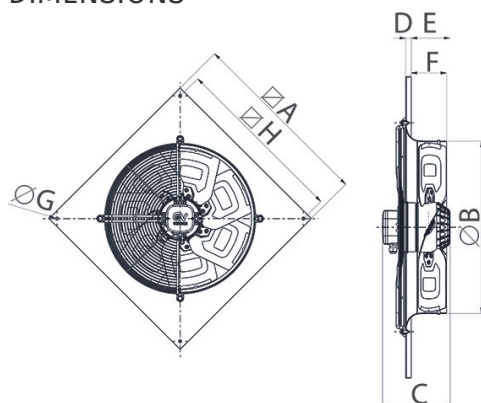
Certifications



TECHNICAL AND PERFORMANCE DATA

Absorbed Current max (A)	1.60	Voltage (V)	220-240
Absorbed Power max (W)	350	Weight (Kg)	24.2
Frequency (Hz)	50	Delivery max (l/s)	1865
Insulation Class	I°	Delivery max (m³/h)	6715
IP	54	Pressure max - max speed (mmH20)	13.7
Max ambient temperature for continuous operation (°C)	50	Pressure max (Pa)	134
Motor IP protection	54	RPM	1000
Nominal Diameter (mm)	566	Sound power level Lw [dB(A)]	77.7
Number of Phases (Ph)	1	Sound pressure level Lp in free field [dB(A)] 1 m	66.7
Number of Poles	6	Sound pressure level Lp in free field [dB(A)] 3 m	57.2

DIMENSIONS



Size A (mm)	725
Size B (mm)	563
Size C (mm)	248
Size D (mm)	16
Size E (mm)	161
Size F (mm)	105
Size G (mm)	11
Size H (mm)	675

PER INFORMAZIONI:

Servizio al Cliente: tel +39 02 90699395 premendo 1 dopo messaggio registrato (consulenza su prodotti e impianti)

Pre & Post Vendita: fax +39 02 90699302

Email prevendita: prevendita@vortice-italy.com

Technical Data Sheet

CODE 42356

A-E 566 M

Compact plate axial fans

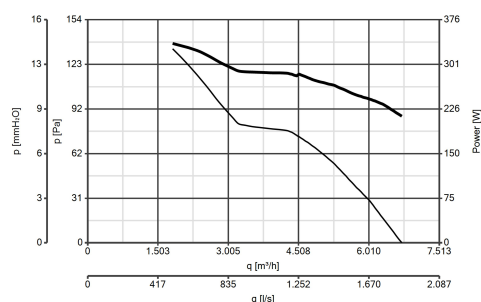


DESCRIPTION

- Nominal diameter 560 mm
- Panels made of pressed steel, phosphated and epoxy powder coated with hammered effect finish, guaranteeing long-term resistance to atmospheric agents.
- Ventilation port fashioned in one piece with the panel, gauged to optimize air flow, aerodynamically contoured and elongated to optimize performance and facilitate connection to the relative duct.
- Protective grille (in accordance with UNI ISO 13857 standard) combining the function of motor bracket, made of electrically welded steel with epoxy paint finish, colour black. Easy removal simplifies

- maintenance and cleaning of the fan.
- 1 speed single phase AC motor of external rotor type designed to minimize axial dimensions, with shaft turning in ball bearings, insulation class F, thermal overload protection.
- Maximum air flow 6500 m³/h
- Dynamically balanced impeller (UNI ISO 1940, Point 1 – Class 6.3); 5 pressed steel blades, electrolytically galvanized and polyester powder-coated, colour black.
- Vortice speed controller.

CURVES



ACCESSORIES



IRM 30

Code 12921



IREM 3 CD

99250080

Code 12931



IREM INVERTER

4 M

Code 12815

PER INFORMAZIONI:

Servizio al Cliente: tel +39 02 90699395 premendo 1 dopo messaggio registrato (consulenza su prodotti e impianti)

Pre & Post Vendita: fax +39 02 90699302

Email prevendita: prevendita@vortice-italy.com