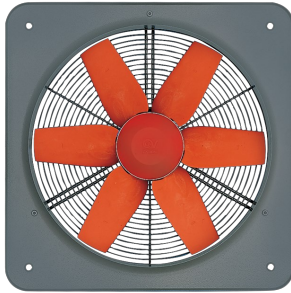


# Technical Data Sheet

CODE 42335

MP 454 T

Medium-pressure plate axial fans



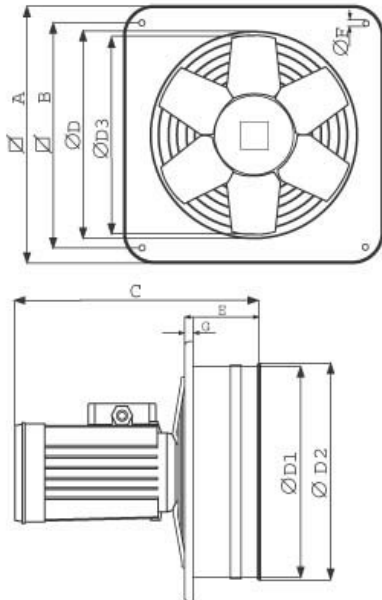
## Certifications



## TECHNICAL AND PERFORMANCE DATA

Absorbed Current at 220 V (A)	3,00	Max ambient temperature for continuous operation (°C)	70
Absorbed Current at 240 V (A)	3,00	Nominal Diameter (mm)	450
Absorbed Current at 380 V (A)	1,75	Number of Poles	4
Absorbed Current at 415 V (A)	1,75	Voltage (V)	220/380 240/415
Absorbed Current max (A)	3,00	Weight (Kg)	18,5
Absorbed power at 220-380 V (W)	730	Delivery max (l/s)	1889
Absorbed power at 240-415 V (W)	780	Delivery max (m³/h)	6800
Absorbed Power max (W)	780	Pressure max (mmH2O)	34,6
Frequency (Hz)	50	Pressure max (Pa)	339
Insulation Class	1°	RPM	1400
IP	55	Sound Pressure level Lp [dB (A)] 3m	66,5

## DIMENSIONS



Size A (mm)	630
Size B (mm)	530
Size C (mm)	381
Size D (mm)	∅
	460
Size D1 (mm)	∅
	462,5
Size D2 (mm)	∅
	468
Size D3 (mm)	∅
	450
Size E (mm)	109
Size F (mm)	∅ 12
Size G (mm)	15

### PER INFORMAZIONI:

Servizio al Cliente: tel +39 02 90699395 premendo 1 dopo messaggio registrato (consulenza su prodotti e impianti)

Pre & Post Vendita: fax +39 02 90699302

Email prevendita: [prevendita@vortice-italy.com](mailto:prevendita@vortice-italy.com)

# Technical Data Sheet

CODE 42335

## MP 454 T

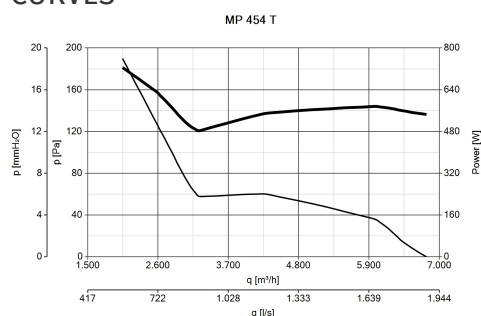
Medium-pressure plate axial fans



### DESCRIPTION

- Nominal diameter 450 mm
- Wall-mounting panel manufactured from phosphated pressed steel, polyester powder coated with hammered effect finish, guaranteeing long-term resistance to atmospheric agents.
- Ventilation port fashioned in one piece with the panel and gauged to optimize air flow.
- Protective grille (in accordance with UNI ISO 13857 standard) combining the function of motor bracket, made of electrically welded steel with epoxy paint finish, colour black. Easy removal simplifies maintenance and cleaning of the fan.
- 1 speed asynchronous three-phase AC motor with shaft turning in double shielded ball bearings, insulation class F.
- Maximum air flow 6,800 m<sup>3</sup>/h
- Impeller with 6 wing profile blades keyed to a diecast aluminium hub and dynamically balanced (UNI ISO 1940 – Balancing class 6.3), optimized to deliver maximum performance and low noise levels, moulded from filled polypropylene for superior dimensional stability and resistance to atmospheric agents.
- Vortice speed controllers.

### CURVES



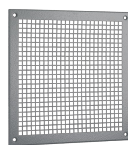
### ACCESSORIES



**IRT 35**  
Code 12924



**PGR 450/500**  
(PERSIANA  
GRAVITA')  
Code 50550



**TRA 450/500**  
(TELAIO CON  
RETE ANTINF.)  
Code 51550



**IRET INVERTER**  
**5 M**  
Code 12817

#### PER INFORMAZIONI:

Servizio al Cliente: tel +39 02 90699395 premendo 1 dopo messaggio registrato (consulenza su prodotti e impianti)

Pre & Post Vendita: fax +39 02 90699302

Email prevendita: [prevendita@vortice-italy.com](mailto:prevendita@vortice-italy.com)