

# Technical Data Sheet

CODE 42259

## A-E 354 T

Compact plate axial fans



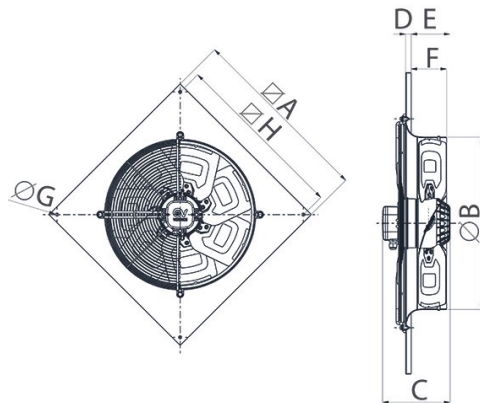
### Certifications



### TECHNICAL AND PERFORMANCE DATA

Absorbed Current max (A)	0,35	Voltage (V)	380-415
Absorbed Power max (W)	166	Weight (Kg)	6.2
Frequency (Hz)	50	Delivery max (l/s)	828
Insulation Class	I°	Delivery max (m³/h)	2980
IP	54	Pressure max - max speed (mmH20)	11.7
Max ambient temperature for continuous operation (°C)	50	Pressure max (Pa)	115
Motor IP protection	54	RPM	1400
Nominal Diameter (mm)	350	Sound power level Lw [dB(A)]	69.2
Number of Phases (Ph)	3	Sound pressure level Lp in free field [dB(A)] 1 m	58.2
Number of Poles	4	Sound pressure level Lp in free field [dB(A)] 3 m	48.7

### DIMENSIONS



Size A (mm)	450
Size B (mm)	366
Size C (mm)	155
Size D (mm)	12
Size E (mm)	85
Size F (mm)	74
Size G (mm)	9
Size H (mm)	380

#### PER INFORMAZIONI:

Servizio al Cliente: tel +39 02 90699395 premendo 1 dopo messaggio registrato (consulenza su prodotti e impianti)

Pre & Post Vendita: fax +39 02 90699302

Email prevendita: [prevendita@vortice-italy.com](mailto:prevendita@vortice-italy.com)

# Technical Data Sheet

CODE 42259

## A-E 354 T

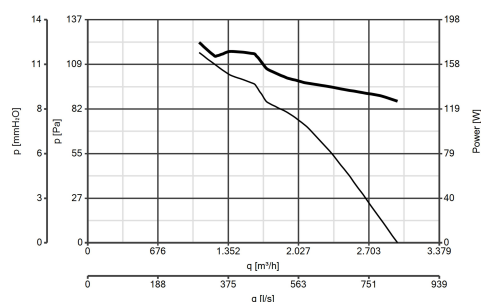
Compact plate axial fans



### DESCRIPTION

- Nominal diameter 350 mm
- Panels made of pressed steel, phosphated and epoxy powder coated with hammered effect finish, guaranteeing long-term resistance to atmospheric agents.
- Ventilation port fashioned in one piece with the panel, gauged to optimize air flow, aerodynamically contoured and elongated to optimize performance and facilitate connection to the relative duct.
- Protective grille (in accordance with UNI ISO 13857 standard) combining the function of motor bracket, made of electrically welded steel with epoxy paint finish, colour black. Easy removal simplifies maintenance and cleaning of the fan.
- 1 speed three-phase AC motor of external rotor type designed to minimize axial dimensions, with shaft turning in ball bearings, insulation class F, thermal overload protection.
- Maximum air flow 3070 m<sup>3</sup>/h
- Dynamically balanced impeller (UNI ISO 1940, Point 1 – Class 6.3); 5 pressed steel blades, electrolytically galvanized and polyester powder-coated, colour black.
- Vortice speed controller.

### CURVES



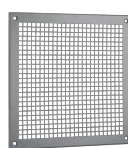
### ACCESSORIES



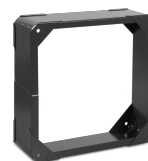
**IRT 15**  
Code 12923



**PGR 350**  
**(PERSIANA**  
**GRAVITA')**  
Code 50350



**TRA 350**  
**(TELAIO CON**  
**RETE ANTINF.)**  
Code 51350



**DPU 350**  
**(DISTANZIATORE)**  
Code 52351

#### PER INFORMAZIONI:

Servizio al Cliente: tel +39 02 90699395 premendo 1 dopo messaggio registrato (consulenza su prodotti e impianti)

Pre & Post Vendita: fax +39 02 90699302

Email prevendita: [prevendita@vortice-italy.com](mailto:prevendita@vortice-italy.com)