

Technical Data Sheet

CODE 30336

C 45/4 T E

Centrifugal fans



Certifications

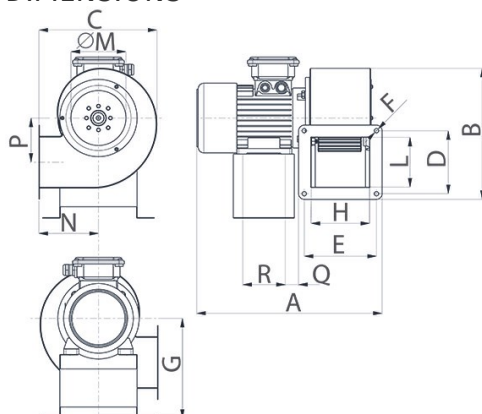
CE CE

EAC EAC

TECHNICAL AND PERFORMANCE DATA

Absorbed Current max (A)	4,35	Voltage (V)	400
Absorbed Power max (W)	1900	Weight (Kg)	23,3
Frequency (Hz)	50	Delivery max (l/s)	1250
Insulation Class	1°	Delivery max (m ³ /h)	4500
Max ambient temperature for continuous operation (°C)	50	Pressure max (mmH2O)	74
Motor IP protection	55	Pressure max (Pa)	726
Number of Phases (Ph)	3	RPM	1400
Number of Poles	4	Sound Pressure level Lp [dB (A)] 3m	70,5

DIMENSIONS



Dimensione Q (mm)	56
Dimensione R (mm)	125
Size A (mm)	549
Size B (mm)	557,5
Size C (mm)	484,5
Size D (mm)	228
Size E (mm)	228
Size F (mm)	9
Size G (mm)	90
Size H (mm)	200
Size L (mm)	200
Size M (mm)	∅ 240
Size N (mm)	222
Size P (mm)	217

PER INFORMAZIONI:

Servizio al Cliente: tel +39 02 90699395 premendo 1 dopo messaggio registrato (consulenza su prodotti e impianti)

Pre & Post Vendita: fax +39 02 90699302

Email prevendita: prevendita@vortice-italy.com

Technical Data Sheet

CODE 30336

C 45/4 T E

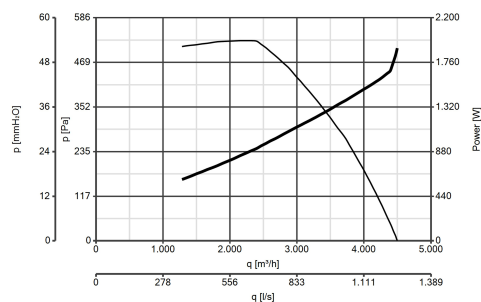
Centrifugal fans



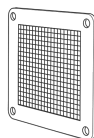
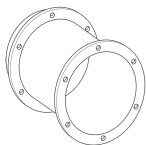
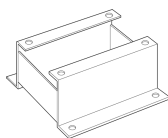
DESCRIPTION

- Frame and scroll: painted pressed steel, with multiple fixing holes configured to allow alignment of the motor in 8 different positions relative to the outlet port.
- Three-phase AC motor with 1 operating speed and shaft turning in ball bearings.
- Centrifugal impeller with forward-curved blades of zinc-coated steel, dynamically balanced (UNI ISO 1940, Point 1 – Class 6.3).
- Maximum air flow: 4500 m³/h.

CURVES



ACCESSORIES



C-MS 45
(SUPPORTO
MOTORE)

Code 22840

C-RA 45
(RACCORDO DI
ASPIRAZIONE)

Code 22834

C-GM 45
(GRIGLIA
PROT.MANDATA)

Code 22821

C-GA 45
(GRIGLIA
PROT.ASPIRAZIO)

Code 22807

PER INFORMAZIONI:

Servizio al Cliente: tel +39 02 90699395 premendo 1 dopo messaggio registrato (consulenza su prodotti e impianti)

Pre & Post Vendita: fax +39 02 90699302

Email prevendita: prevendita@vortice-italy.com