

Technical Data Sheet

CODE 30331

C 35/4 T E

Centrifugal fans



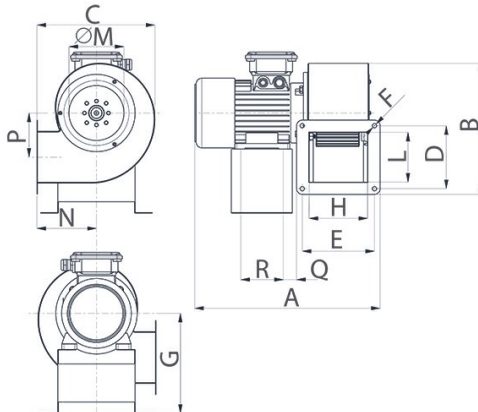
Certifications



TECHNICAL AND PERFORMANCE DATA

Absorbed Current max (A)	0,70	Voltage (V)	400
Absorbed Power max (W)	350	Weight (Kg)	9,3
Frequency (Hz)	50	Delivery max (l/s)	430,6
Insulation Class	I°	Delivery max (m³/h)	1550
Max ambient temperature for continuous operation (°C)	50	Pressure max (mmH2O)	34
Motor IP protection	55	Pressure max (Pa)	334
Number of Phases (Ph)	3	RPM	1400
Number of Poles	4	Sound Pressure level Lp [dB (A)] 3m	61

DIMENSIONS



Dimensione Q (mm)	45
Dimensione R (mm)	90
Size A (mm)	387
Size B (mm)	400
Size C (mm)	340
Size D (mm)	164
Size E (mm)	174
Size F (mm)	8,5
Size G (mm)	71
Size H (mm)	149
Size L (mm)	137
Size M (mm)	∅ 170
Size N (mm)	152
Size P (mm)	144

PER INFORMAZIONI:

Servizio al Cliente: tel +39 02 90699395 premendo 1 dopo messaggio registrato (consulenza su prodotti e impianti)

Pre & Post Vendita: fax +39 02 90699302

Email prevendita: prevendita@vortice-italy.com

Technical Data Sheet

CODE 30331

C 35/4 T E

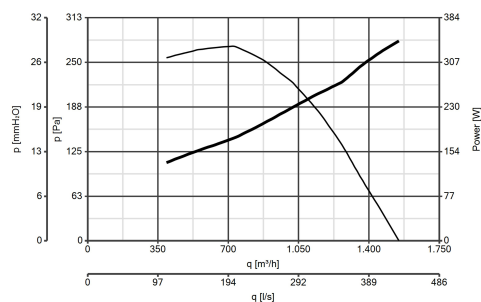
Centrifugal fans



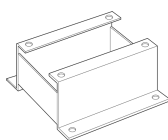
DESCRIPTION

- Frame and scroll: painted pressed steel, with multiple fixing holes configured to allow alignment of the motor in 8 different positions relative to the outlet port.
- Three-phase AC motor with 1 operating speed and shaft turning in ball bearings.
- Centrifugal impeller with forward-curved blades of zinc-coated steel, dynamically balanced (UNI ISO 1940, Point 1 – Class 6.3).
- Maximum air flow: 1550 m³/h.

CURVES

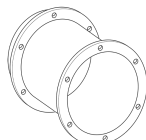


ACCESSORIES



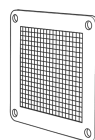
C-MS 31/35
(SUPPORTO
MOTORE)

Code 22838



C-RA 31-35
(RACCORDO DI
ASPIRAZIONE)

Code 22830



C-GM 35
(GRIGLIA
PROT.MANDATA)

Code 22818



C-GA 31/35
(GRIGLIA
PROT.ASPIRAZIO)

Code 22805

PER INFORMAZIONI:

Servizio al Cliente: tel +39 02 90699395 premendo 1 dopo messaggio registrato (consulenza su prodotti e impianti)

Pre & Post Vendita: fax +39 02 90699302

Email prevendita: prevendita@vortice-italy.com