

# Technical Data Sheet

CODE 30329

## C 31/4 T E

Centrifugal fans



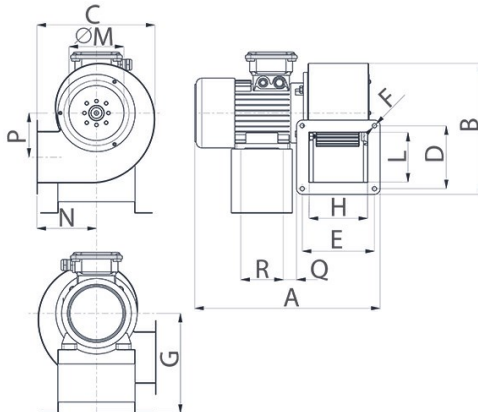
### Certifications



### TECHNICAL AND PERFORMANCE DATA

Absorbed Current max (A)	0.28	Voltage (V)	400
Absorbed Power max (W)	175	Weight (Kg)	9,5
Frequency (Hz)	50	Delivery max (l/s)	229
Insulation Class	I°	Delivery max (m³/h)	825
Max ambient temperature for continuous operation (°C)	50	Pressure max (mmH2O)	28.7
Motor IP protection	55	Pressure max (Pa)	281
Number of Phases (Ph)	3	RPM	1400
Number of Poles	4	Sound Pressure level Lp [dB (A)] 3m	61.0

### DIMENSIONS



Dimensione Q (mm)	45
Dimensione R (mm)	90
Size A (mm)	357
Size B (mm)	400
Size C (mm)	340
Size D (mm)	164
Size E (mm)	139
Size F (mm)	8,5
Size G (mm)	71
Size H (mm)	112
Size L (mm)	137
Size M (mm)	∅ 170
Size N (mm)	152
Size P (mm)	144

#### PER INFORMAZIONI:

Servizio al Cliente: tel +39 02 90699395 premendo 1 dopo messaggio registrato (consulenza su prodotti e impianti)

Pre & Post Vendita: fax +39 02 90699302

Email prevendita: [prevendita@vortice-italy.com](mailto:prevendita@vortice-italy.com)

# Technical Data Sheet

CODE 30329

## C 31/4 T E

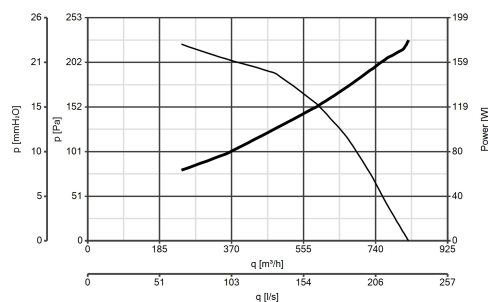
Centrifugal fans



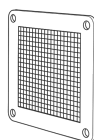
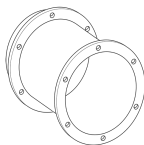
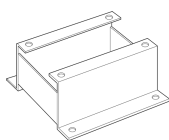
### DESCRIPTION

- Frame and scroll: painted pressed steel, with multiple fixing holes configured to allow alignment of the motor in 8 different positions relative to the outlet port.
- Three-phase AC motor with 1 operating speed and shaft turning in ball bearings.
- Centrifugal impeller with forward-curved blades of zinc-coated steel, dynamically balanced (UNI ISO 1940, Point 1 – Class 6.3).
- Maximum air flow: 1100 m<sup>3</sup>/h.

### CURVES



### ACCESSORIES



**C-MS 31/35**  
**(SUPPORTO**  
**MOTORE)**

Code 22838

**C-RA 31-35**  
**(RACCORDO DI**  
**ASPIRAZIONE)**

Code 22830

**C-GM 31**  
**(GRIGLIA**  
**PROT.MANDATA)**

Code 22817

**C-GA 31/35**  
**(GRIGLIA**  
**PROT.ASPIRAZIO)**

Code 22805



#### PER INFORMAZIONI:

Servizio al Cliente: tel +39 02 90699395 premendo 1 dopo messaggio registrato (consulenza su prodotti e impianti)

Pre & Post Vendita: fax +39 02 90699302

Email prevendita: [prevendita@vortice-italy.com](mailto:prevendita@vortice-italy.com)