

Technical Data Sheet

CODE 30326

C 30/2 T E

Centrifugal fans



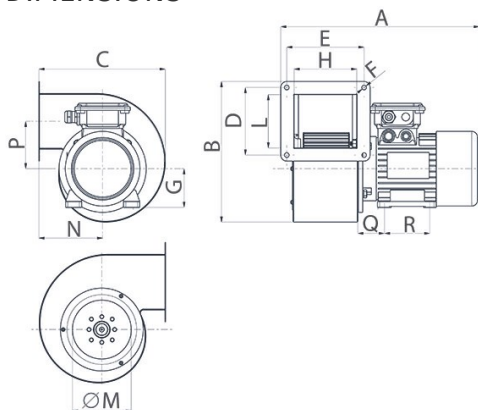
Certifications



TECHNICAL AND PERFORMANCE DATA

Absorbed Current max (A)	1,50	Voltage (V)	400
Absorbed Power max (W)	720	Weight (Kg)	8,1
Frequency (Hz)	50	Delivery max (l/s)	375
Insulation Class	I°	Delivery max (m³/h)	1350
Max ambient temperature for continuous operation (°C)	50	Pressure max (mmH2O)	85
Motor IP protection	55	Pressure max (Pa)	834
Number of Phases (Ph)	3	RPM	2800
Number of Poles	2	Sound Pressure level Lp [dB (A)] 3m	71

DIMENSIONS



Dimensione Q (mm)	45
Dimensione R (mm)	90
Size A (mm)	366
Size B (mm)	308
Size C (mm)	272
Size D (mm)	126
Size E (mm)	137
Size F (mm)	8,5
Size G (mm)	71
Size H (mm)	117
Size L (mm)	108
Size M (mm)	∅ 132
Size N (mm)	131
Size P (mm)	111

PER INFORMAZIONI:

Servizio al Cliente: tel +39 02 90699395 premendo 1 dopo messaggio registrato (consulenza su prodotti e impianti)

Pre & Post Vendita: fax +39 02 90699302

Email prevendita: prevendita@vortice-italy.com

Technical Data Sheet

CODE 30326

C 30/2 T E

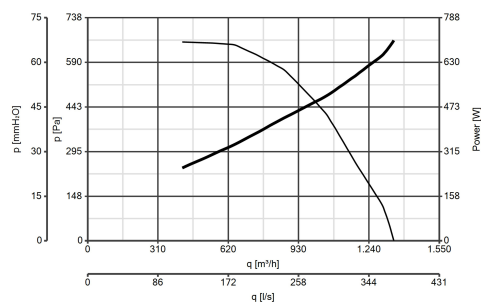
Centrifugal fans



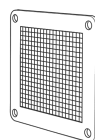
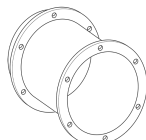
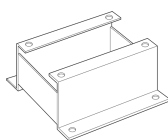
DESCRIPTION

- Frame and scroll: painted pressed steel, with multiple fixing holes configured to allow alignment of the motor in 8 different positions relative to the outlet port.
- Three-phase AC motor with 1 operating speed and shaft turning in ball bearings.
- Centrifugal impeller with forward-curved blades of zinc-coated steel, dynamically balanced (UNI ISO 1940, Point 1 – Class 6.3).
- Maximum air flow: 1350 m³/h.

CURVES



ACCESSORIES



C-MS 30
(SUPPORTO
MOTORE)

Code 22837

C-RA 30
(RACCORDO DI
ASPIRAZIONE)

Code 22829

C-GM 30
(GRIGLIA
PROT.MANDATA)

Code 22816

C-GA 30
(GRIGLIA
PROT.ASPIRAZIO)

Code 22804



PER INFORMAZIONI:

Servizio al Cliente: tel +39 02 90699395 premendo 1 dopo messaggio registrato (consulenza su prodotti e impianti)

Pre & Post Vendita: fax +39 02 90699302

Email prevendita: prevendita@vortice-italy.com