

# Technical Data Sheet

CODE 30322

## C 20/2 T E

Centrifugal fans



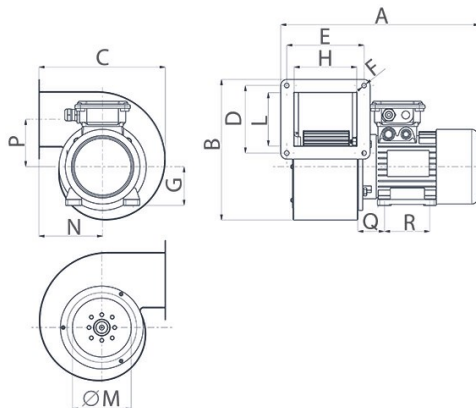
### Certifications



### TECHNICAL AND PERFORMANCE DATA

Absorbed Current max (A)	0.54	Voltage (V)	400
Absorbed Power max (W)	330	Weight (Kg)	5.8
Frequency (Hz)	50	Delivery max (l/s)	222
Insulation Class	I°	Delivery max (m³/h)	800
Max ambient temperature for continuous operation (°C)	50	Pressure max (mmH2O)	52.7
Motor IP protection	55	Pressure max (Pa)	517
Number of Phases (Ph)	3	RPM	2800
Number of Poles	2	Sound Pressure level Lp [dB (A)] 3m	66.0

### DIMENSIONS



Dimensione Q (mm)	45
Dimensione R (mm)	90
Size A (mm)	350
Size B (mm)	258
Size C (mm)	232
Size D (mm)	123
Size E (mm)	123
Size F (mm)	8,5
Size G (mm)	71
Size H (mm)	102
Size L (mm)	98
Size M (mm)	∅ 108
Size N (mm)	117
Size P (mm)	87

#### PER INFORMAZIONI:

Servizio al Cliente: tel +39 02 90699395 premendo 1 dopo messaggio registrato (consulenza su prodotti e impianti)

Pre & Post Vendita: fax +39 02 90699302

Email prevendita: [prevendita@vortice-italy.com](mailto:prevendita@vortice-italy.com)

# Technical Data Sheet

CODE 30322

## C 20/2 T E

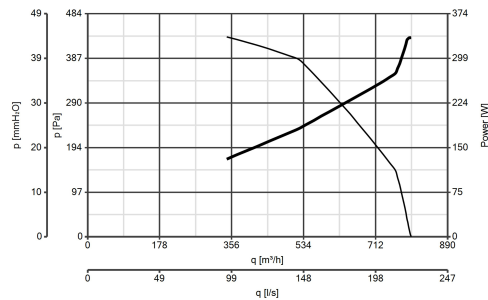
Centrifugal fans



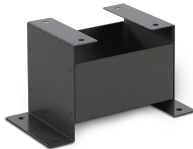
### DESCRIPTION

- Frame and scroll: painted pressed steel, with multiple fixing holes configured to allow alignment of the motor in 8 different positions relative to the outlet port.
- Three-phase AC motor with 1 operating speed and shaft turning in ball bearings.
- Centrifugal impeller with forward-curved blades of zinc-coated steel, dynamically balanced (UNI ISO 1940, Point 1 – Class 6.3).
- Maximum air flow: 244 m<sup>3</sup>/h.

### CURVES

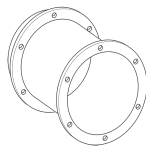


### ACCESSORIES



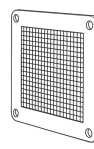
**C-MS 20/25**  
**(SUPPORTO**  
**MOTORE)**

Code 22836



**C-RA 20-25**  
**(RACCORDO DI**  
**ASPIRAZIONE)**

Code 22828



**C-GM 20**  
**(GRIGLIA**  
**PROT.MANDATA)**

Code 22813



**C-GA 20/25**  
**(GRIGLIA**  
**PROT.ASPIRAZIO**

Code 22803

#### PER INFORMAZIONI:

Servizio al Cliente: tel +39 02 90699395 premendo 1 dopo messaggio registrato (consulenza su prodotti e impianti)

Pre & Post Vendita: fax +39 02 90699302

Email prevendita: [prevendita@vortice-italy.com](mailto:prevendita@vortice-italy.com)