

Technical Data Sheet

CODE 17144

LINEO 100

Mixed flow extractor fans



Certifications



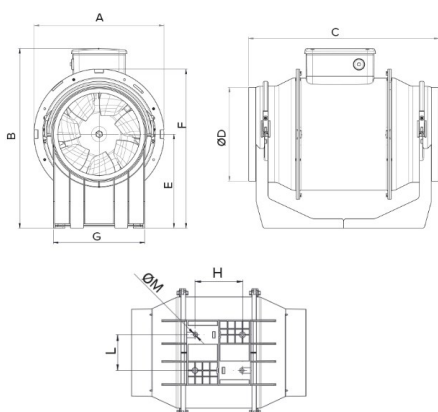
IMQ Performance



TECHNICAL AND PERFORMANCE DATA

| | | | |
|---|---------|---|-------|
| Absorbed power 1st speed (W) | 20 | Delivery 1st speed (l/s) | 50 |
| Frequency (Hz) | 50 | Delivery 1st speed (m ³ /h) | 180 |
| Insulation Class | II° | Max delivery at max speed (l/s) | 70,8 |
| IP | 44 | Max delivery at max speed (m ³ /h) | 255 |
| Max ambient temperature for continuous operation (°C) | 60 | Pressure - 1st speed (mmH2O) | 13 |
| Max. absorbed Current at max. speed (A) | 0,11 | Pressure - 1st speed (Pa) | 127,5 |
| Max. absorbed Current at min. speed (A) | 0,09 | Pressure max - max speed (mmH2O) | 16,5 |
| Max. absorbed power at max speed (W) | 23 | Pressure max - max speed (Pa) | 161,9 |
| Nominal Diameter (mm) | 100 | RPM max | 2030 |
| Voltage (V) | 220-240 | RPM min | 1520 |
| Weight (Kg) | 2 | Sound pressure level Lp [dB (A)] 3m - max speed | 39,4 |
| | | Sound pressure level Lp [dB (A)] 3m - min speed | 30,7 |

DIMENSIONS



| | |
|-------------|-------|
| Size A (mm) | 188,5 |
| Size B (mm) | 211 |
| Size C (mm) | 303 |
| Size D (mm) | 96 |
| Size E (mm) | 101,5 |
| Size F (mm) | 189 |
| Size G (mm) | 90 |
| Size H (mm) | 60 |
| Size L (mm) | 80 |
| Size M (mm) | 5,5 |

PER INFORMAZIONI:

Servizio al Cliente: tel +39 02 90699395 premendo 1 dopo messaggio registrato (consulenza su prodotti e impianti)

Pre & Post Vendita: fax +39 02 90699302

Email prevendita: prevendita@vortice-italy.com

Technical Data Sheet

CODE 17144

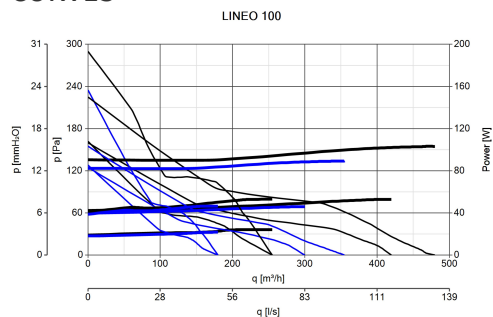
LINEO 100

Mixed flow extractor fans



DESCRIPTION

CURVES



ACCESSORIES



C PIR

Code 12998



C TEMP

Code 12992



C SMOKE

Code 12993



C HCS

Code 12994



C TIMER

Code 12999



DUO

Code 22914



LINEO-G 100

Code 22701



LINEO-PF 100

Code 22577



IN-LINE-S 100

Code 22551



LINEO-C 100

Code 22584



C 1.5 (COMANDO EL. 1.5 A)

Code 12966

PER INFORMAZIONI:

Servizio al Cliente: tel +39 02 90699395 premando 1 dopo messaggio registrato (consulenza su prodotti e impianti)

Pre & Post Vendita: fax +39 02 90699302

Email prevendita: prevendita@vortice-italy.com



KIT SCB
(TRASF.E.C.)

Code 22481