

Technical Data Sheet

CODE 16098

CA 315 MD SE RF

Centrifugal duct fans for roof mounting

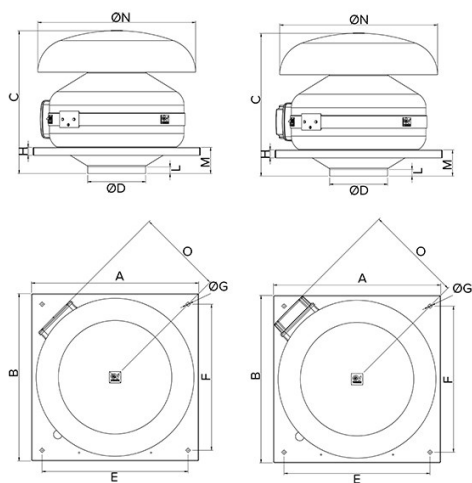


Certifications

TECHNICAL AND PERFORMANCE DATA

Frequency (Hz)	50-60	Voltage (V)	220-240
Insulation class	II°	Weight (Kg)	6,6
IP	44	Max airflow at Max speed (l/s)	339
Max absorbed current (A)	0,84	Max airflow at Max speed (m³/h)	1220
Max absorbed power (W)	190	Max pressure at Max speed (mmH2O)	69
Max absorbed Power at 60 Hz (W)	285	Max pressure at Max speed (Pa)	673
Max ambient temperature for continuous operation (°C)	45	Max RPM	2800
Nominal diameter (mm)	315	Sound pressure at 3m at Max speed Lp [dB (A)]	55

DIMENSIONS



Size A (mm)	489
Size B (mm)	489
Size C (mm)	423
Size D (mm)	Ø 312
Size E (mm)	435
Size F (mm)	435
Size G (mm)	Ø 9
Size H (mm)	20
Size L (mm)	42
Size M (mm)	74
Size N (mm)	Ø 534
Size O (mm)	260

PER INFORMAZIONI:

Servizio al Cliente: tel +39 02 90699395 premendo 1 dopo messaggio registrato (consulenza su prodotti e impianti)

Pre & Post Vendita: fax +39 02 90699302

Email prevendita: prevendita@vortice-italy.com

Technical Data Sheet

CODE 16098

CA 315 MD SE RF

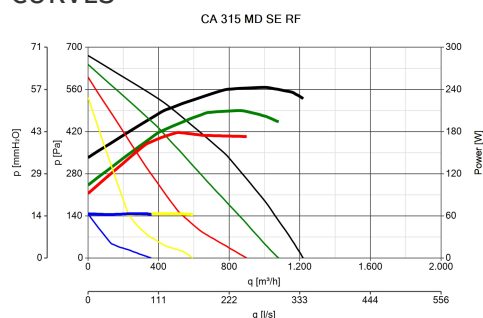
Centrifugal duct fans for roof mounting



DESCRIPTION

- Pickled and phosphated steel housing/roof mounting plate with polyester powder-coated finish, resistant to the aggressive action of atmospheric agents.
- Nominal diameter 315 mm.
- Motor-fan, speed adjustable through IRM5 2B optional control (cod. 12861), consisting of:
 - o AC motor with thermal overload cutout and shaft turning in ball bearings,
 - o backward curved impeller.
- Operation controllable by remote sensors monitoring: Temperature, Relative Humidity, Smoke and Presence.
- Zinc-coated steel brackets for wall mounting.
- IMQ SAFETY and IMQ PERFORMANCE certifications.

CURVES



ACCESSORIES



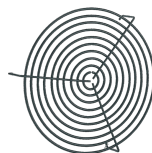
C 1.5 (COMANDO EL. 1.5 A)

Code 12966



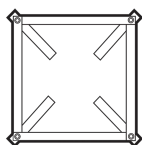
C 2.5 (COMANDO EL. 2.5 A)

Code 12967



CA-G 315 (GRIGLIA DI PROTEZIONE)

Code 22775



CARF-C 250/315 (CONTROTELAIO DI BASE)

Code 22545



IRM5 2B

Code 12861

PER INFORMAZIONI:

Servizio al Cliente: tel +39 02 90699395 premendo 1 dopo messaggio registrato (consulenza su prodotti e impianti)

Pre & Post Vendita: fax +39 02 90699302

Email prevendita: prevendita@vortice-italy.com