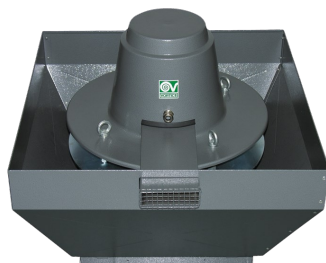


Technical Data Sheet

CODE 15170

TORRETTA TRM 70 ED-V 4P

Centrifugal roof fans with vertical discharge for hot fumes extraction



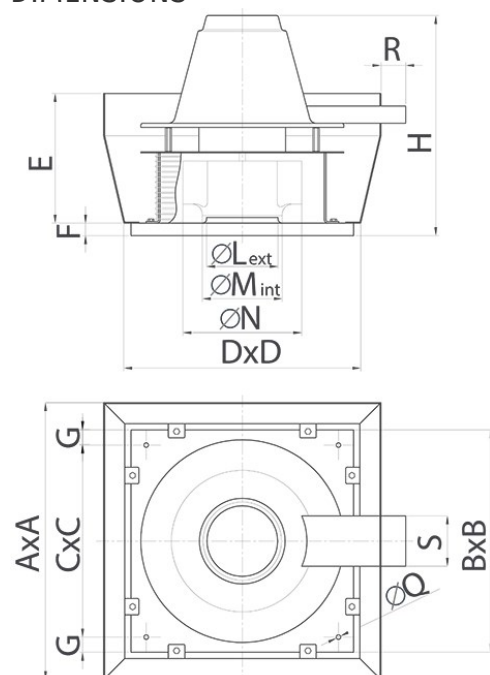
Certifications



TECHNICAL AND PERFORMANCE DATA

Frequency (Hz)	50	Number of poles	4
Insulation class	1°	Voltage (V)	230
Max absorbed current (A)	4,35	Weight (Kg)	130
Max absorbed power (W)	1000	Max airflow (l/s)	1611
Max ambient temperature for continuous operation (°C)	90	Max airflow (m³/h)	5800
Motor ATEX marking	55	Max pressure (mmH2O)	65
Nominal diameter (mm)	350	Max pressure (Pa)	638
Number of phases (Ph)	1	RPM	1350
		Sound pressure Lp [dB (A)] at 3 m	77

DIMENSIONS



Dimension Q (mm)	12
Dimension R (mm)	50
Size A (mm)	1144
Size B (mm)	830
Size C (mm)	750
Size D (mm)	860
Size E (mm)	491
Size F (mm)	38
Size G (mm)	40
Size H (mm)	743
Size L (mm)	328
Size M (mm)	335
Size N (mm)	504

PER INFORMAZIONI:

Servizio al Cliente: tel +39 02 90699395 premendo 1 dopo messaggio registrato (consulenza su prodotti e impianti)

Pre & Post Vendita: fax +39 02 90699302

Email prevendita: prevendita@vortice-italy.com

Technical Data Sheet

CODE 15170

TORRETTA TRM 70 ED-V 4P

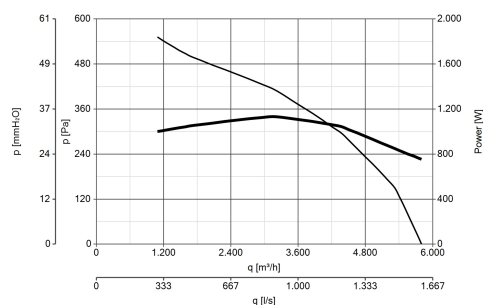
Centrifugal roof fans with vertical discharge for hot fumes extraction



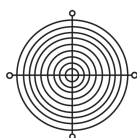
DESCRIPTION

- Centrifugal roof fan suitable for extracting hot fumes at up to 400 °C for 120 minutes.
- Base manufactured from phosphated pressed steel, epoxy powder coated with hammered effect finish, guaranteeing long-term resistance to atmospheric agents.
- Aerodynamically contoured inlet port for optimum performance, fashioned as a single unit with the base and gauged to optimize air flow.
- Motor mounting plate made of steel with galvanization surface treatment.
- Protective cap carried by top plate made of steel with galvanization surface treatment.
- Cold outside air drawn into a cooling chamber made of pressed steel with polyester powder coated and oven baked hammered effect finish, colour grey.
- Pressed steel motor cover: pickled and phosphated surface, polyester powder coated and oven baked finish, colour grey, with hammered texture.
- Accident prevention and anti-bird grilles (to UNI ISO 13857 standard), consisting of electrically welded steel rings with epoxy powder coated finish, colour black.
- Centrifugal impeller with self-cleaning backward curved blades, dynamically balanced (UNI ISO 1940, Point 1 – Class 6.3), made of electrolytically galvanized steel.
- 1 speed single phase AC motor with shaft turning in ball bearings, size to UNEL MEC standard, flange B5, self-ventilating. Motor insulation class H, with metal cooling fan and cable gland.
- Maximum air flow: 5800 m³/h.
- Equipped with a motor start capacitor that must be installed remotely from the fan so that it cannot be damaged through direct exposure to heat.
- Galvanized steel eye lugs for transport and lifting/handling operations.
- Cable guaranteeing continuity of earth connection.
- Steel safety wire for anchoring appliances once installed.
- Vortice speed controller.

CURVES

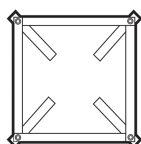


ACCESSORIES



**TR-G 70/100
(GRIGLIA DI
PROTEZIONE)**

Code 22506



**TR-CU 70/100
(CONTROTELAIO
DI BASE U)**

Code 22539



**IREM 9 CD
99250082**

Code 12933



**IREM INVERTER
6 M**

Code 12818

PER INFORMAZIONI:

Servizio al Cliente: tel +39 02 90699395 premendo 1 dopo messaggio registrato (consulenza su prodotti e impianti)

Pre & Post Vendita: fax +39 02 90699302

Email prevendita: prevendita@vortice-italy.com