

Technical Data Sheet

CODE 12416

VORTICE 300/12" ARI-LL-S

Flush mounted axial fans



Certifications



IMQ



CE



IMQ Performance

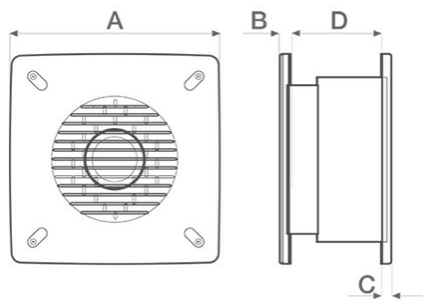


EAC

TECHNICAL AND PERFORMANCE DATA

Absorbed Current max (A)	0,41	Voltage (V)	220-240
Absorbed Power max (W)	75	Weight (Kg)	7,20
Frequency (Hz)	50/60	Delivery max - Extract (l/s)	486,1
Inlet	Automatico	Delivery max - Extract (m3/h)	1750
Insulation Class	II°	Delivery max - Intake (l/s)	277,7
IP	X4	Delivery max - Intake (m3/h)	1000
Max absorbed Power at 60Hz (W)	90	Delivery max (m³/h)	1750
Max ambient temperature for continuous operation (°C)	50	RPM	1230
Max ambient temperature for continuous operation 60Hz (°C)	40	Rpm - Exhaust	1230
Ø Discharge Hole (mm)	435 ÷ 440	Rpm - Supply	1310
		Sound Pressure level Lp [dB (A)] 3m	53,5

DIMENSIONS



Ø wall hole	435/440
Size A (mm)	495
Size B (mm)	10,5
Size C (mm)	11,5
Size D (mm)	210

PER INFORMAZIONI:

Servizio al Cliente: tel +39 02 90699395 premendo 1 dopo messaggio registrato (consulenza su prodotti e impianti)

Pre & Post Vendita: fax +39 02 90699302

Email prevendita: prevendita@vortice-italy.com

Technical Data Sheet

CODE 12416

VORTICE 300/12" ARI-LL-S

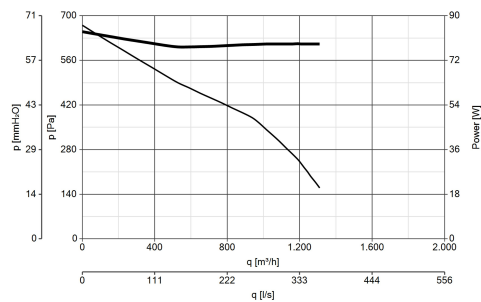
Flush mounted axial fans



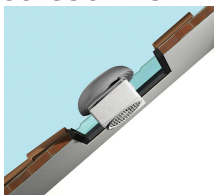
DESCRIPTION

- Model designed for flush wall-mounted installation.
- Reversibility function (intake or extraction).
- Automatic shutter: prevents the entry of cold air and bad smells when the appliance is switched off.
- Material: UV resistant ABS plastic (prevents ageing caused by exposure to sunlight)
- Nominal diameter 300 mm.
- Motor protected against thermal overload, with shaft turning in ball bearings, coupled to screw type thermoplastic impeller with wing profile blades.
- IMQ SAFETY and IMQ PERFORMANCE certifications.

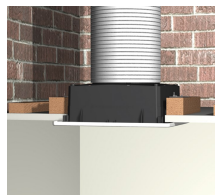
CURVES



ACCESSORIES



KIT TE 300/12"
(TORRETTO)
Code 13003



KIT SO 300/12"
(SOFFITTO)
Code 13014



KIT ML 300/12"
(MURO LARGO)
Code 13017



KIT TC 300/12"
(TETTO CON CONDOTTO)
Code 13029

PER INFORMAZIONI:

Servizio al Cliente: tel +39 02 90699395 premendo 1 dopo messaggio registrato (consulenza su prodotti e impianti)
Pre & Post Vendita: fax +39 02 90699302
Email prevendita: prevendita@vortice-italy.com