

# Technical Data Sheet

CODE 12010

## ARIETT LL I

Centrifugal duct fans for flush mounting



### Certifications



IMQ



CE



IMQ Performance

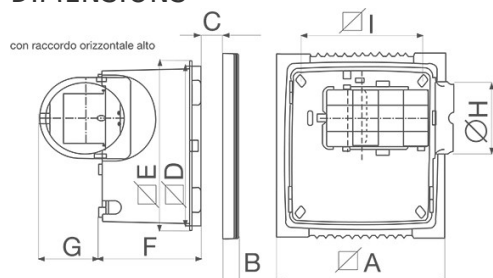


EAC

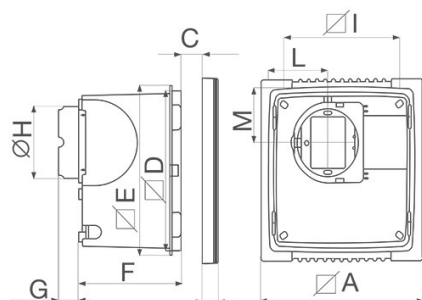
### TECHNICAL AND PERFORMANCE DATA

Frequency (Hz)	50	Ø Discharge hole (mm)	96,5
Insulation class	II°	Voltage (V)	230
IP	X4	Weight (Kg)	1,9
Max absorbed current (A)	0,13	Max airflow (l/s)	uscita:posteriore 22,2 laterale 19,4
Max absorbed power (W)	19	Max airflow (m³/h)	80
Max absorbed power at Max speed (W)	19	Max pressure (mmH2O)	11
Max ambient temperature for continuous operation (°C)	40	Max pressure (Pa)	108
Nominal diameter (mm)	100	RPM	2360
		RPM side air outlet - max speed	2460

### DIMENSIONS



Size A (mm)	252
Size B (mm)	23
Size C (mm)	65
Size D (mm)	214,5
Size E (mm)	228
Size F (mm)	135,3
Size G (mm)	31,5/76,7
Size H (mm)	Ø
	96,5
Size I (mm)	180
Size L (mm)	92
Size M (mm)	76



#### PER INFORMAZIONI:

Servizio al Cliente: tel +39 02 90699395 premendo 1 dopo messaggio registrato (consulenza su prodotti e impianti)

Pre & Post Vendita: fax +39 02 90699302

Email prevendita: prevendita@vortice-italy.com

# Technical Data Sheet

CODE 12010

## ARIETT LL I

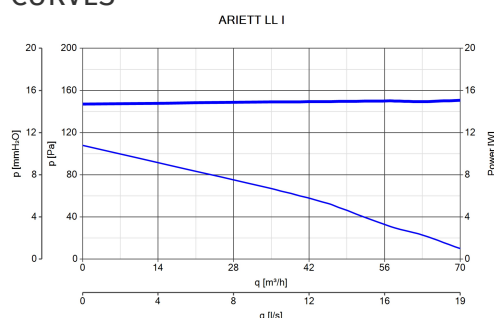
Centrifugal duct fans for flush mounting



### DESCRIPTION

- Material: UV resistant plastic (prevents ageing caused by exposure to sunlight).
- Nominal diameter: 100 mm
- Motor with thermal overload protection and shaft turning in ball bearings.
- Maximum air flow, rear: 80 m<sup>3</sup>/h
- Maximum air flow, side: 70 m<sup>3</sup>/h
- Vertical outlet port supplied as standard with spigot positionable horizontally by means of diverter.
- Rear outlet port equipped with non-return damper.
- IMQ SAFETY and IMQ PERFORMANCE certifications
- Vortice speed controller.

### CURVES



### ACCESSORIES



#### C 1.5 (COMANDO EL. 1.5 A)

Code 12966



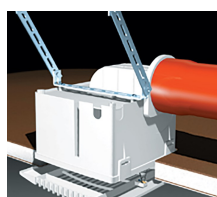
#### SCNRB SCAT.COM.NON REV.INCASSO

Code 12971



#### KIT CONTROSOFFITTATURE

Code 22823



#### RACCORDO ORIZZONTALE ALTO

Code 22841



#### DEVIATORE DI FLUSSO M 10/4

Code 22310



#### KIT SCB (TRASF.E.C.)

Code 22481

#### PER INFORMAZIONI:

Servizio al Cliente: tel +39 02 90699395 premendo 1 dopo messaggio registrato (consulenza su prodotti e impianti)

Pre & Post Vendita: fax +39 02 90699302

Email prevendita: [prevendita@vortice-italy.com](mailto:prevendita@vortice-italy.com)