

Technical Data Sheet

CODE 11319

ME 100/4" LL T ORO BIANCO-WHITE GOLD



Wall axial fan



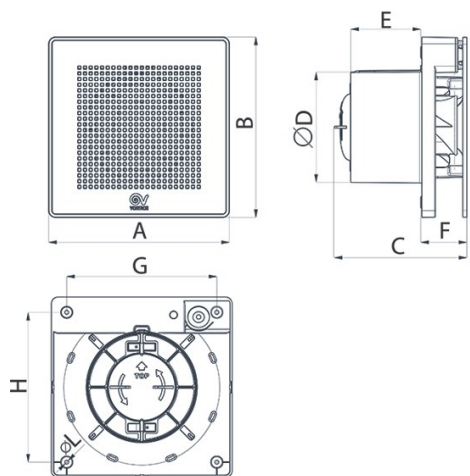
Certifications



TECHNICAL AND PERFORMANCE DATA

| | | | |
|---|-----------------|---|-------|
| Frequency (Hz) | 50 | Airflow at 1st speed (m ³ /h) | 65 |
| Insulation class | II ^o | Max airflow at Max speed (l/s) | 26,4 |
| IP | 45 | Max airflow at Max speed (m ³ /h) | 95 |
| Max absorbed current at Max speed (A) | 0,052 | Max pressure at Max speed (mmH2O) | 4,7 |
| Max absorbed current at Min speed (A) | 0,039 | Max pressure at Max speed (Pa) | 46,09 |
| Max absorbed power at Max speed (W) | 9 | Max RPM | 2240 |
| Max ambient temperature for continuous operation (°C) | 50 | Min RPM | 1700 |
| Nominal diameter (mm) | 100 | Pressure at 1st speed (mmH2O) | 2,5 |
| Power absorbed at 1st speed (W) | 5 | Pressure at 1st speed (Pa) | 24,52 |
| Voltage (V) | 220-240 | Sound power at Min speed LWA [dB(A)] | 41,3 |
| Weight (Kg) | 0,6 | Sound power at Min speed LWA [dB(A)] | 47,4 |
| Airflow at 1st speed (l/s) | 18,1 | Sound pressure at 3m at Max speed calculated in free field Lp [dB(A)] | 26,9 |
| | | Sound pressure at 3m at Min speed calculated in free field Lp [dB(A)] | 20,8 |

DIMENSIONS



| | |
|-------------|-------|
| Size A (mm) | 159 |
| Size B (mm) | 159 |
| Size C (mm) | 116,5 |
| Size D (mm) | ∅ 98 |
| Size E (mm) | 61,5 |
| Size F (mm) | 40,5 |
| Size G (mm) | 132 |
| Size H (mm) | 132 |
| Size L (mm) | ∅ 3,5 |

PER INFORMAZIONI:

Servizio al Cliente: tel +39 02 90699395 premando 1 dopo messaggio registrato (consulenza su prodotti e impianti)

Pre & Post Vendita: fax +39 02 90699302

Email prevendita@vortice-italy.com

Technical Data Sheet

CODE 11319

ME 100/4" LL T ORO BIANCO-WHITE GOLD



Wall axial fan

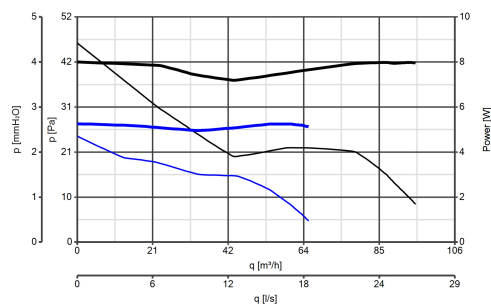
DESCRIPTION

- Material: WHITE GOLD UV resistant plastic (prevents ageing caused by exposure to sunlight), with colouring obtained by way of treatment using nano technologies.
- Nominal diameter 100 mm.
- Motor protected against thermal overload, with shaft turning in ball bearings; 2 operating speeds controlled electronically from pcb.
- Air flow between 65 m³/h and 95 m³/h.
- Version with simplified timer, operating at one speed: the appliance is

equipped with a pcb providing a delayed switch-off function. The length of the switch-off delay, as well as the single operating speed, min or max, can be set during installation.

- Equipped with non-return damper preventing unwanted backdraught when the fan is off.
- IMQ Safety and IMQ Performance certifications.

CURVES



PER INFORMAZIONI:

Servizio al Cliente: tel +39 02 90699395 premendo 1 dopo messaggio registrato (consulenza su prodotti e impianti)

Pre & Post Vendita: fax +39 02 90699302

Email prevendita: prevendita@vortice-italy.com