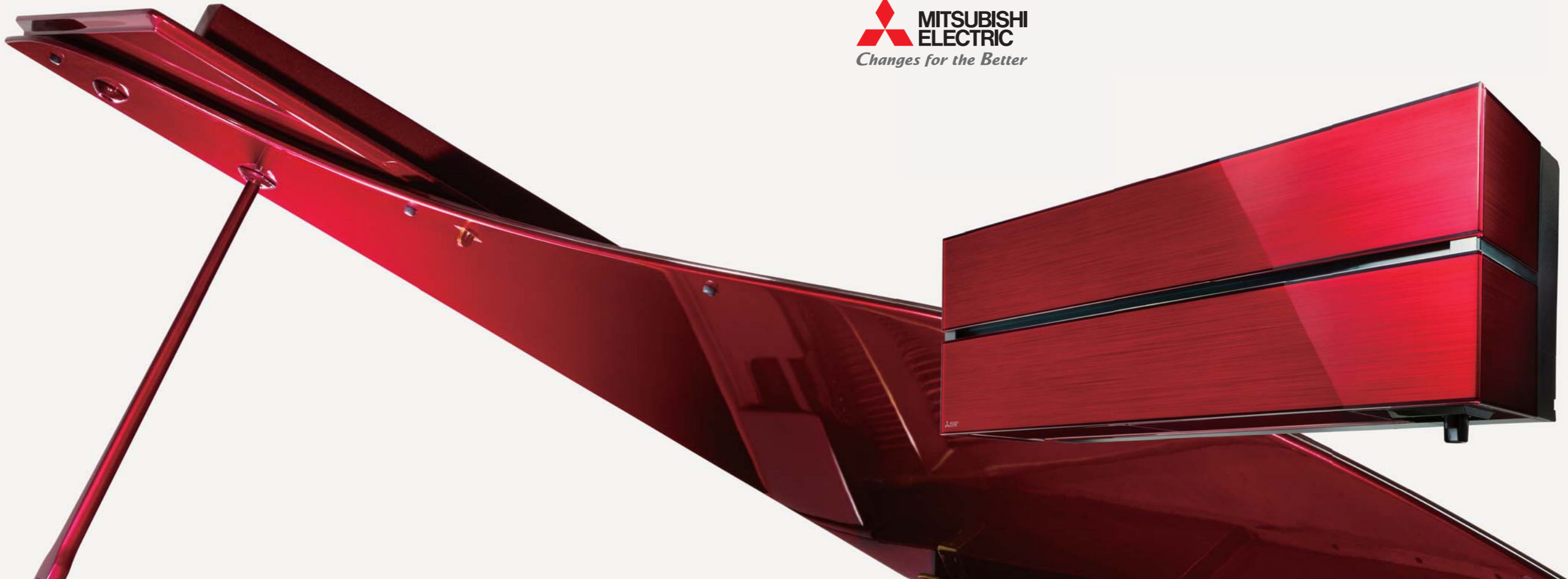


 **mitsubishi
electric**
Changes for the Better



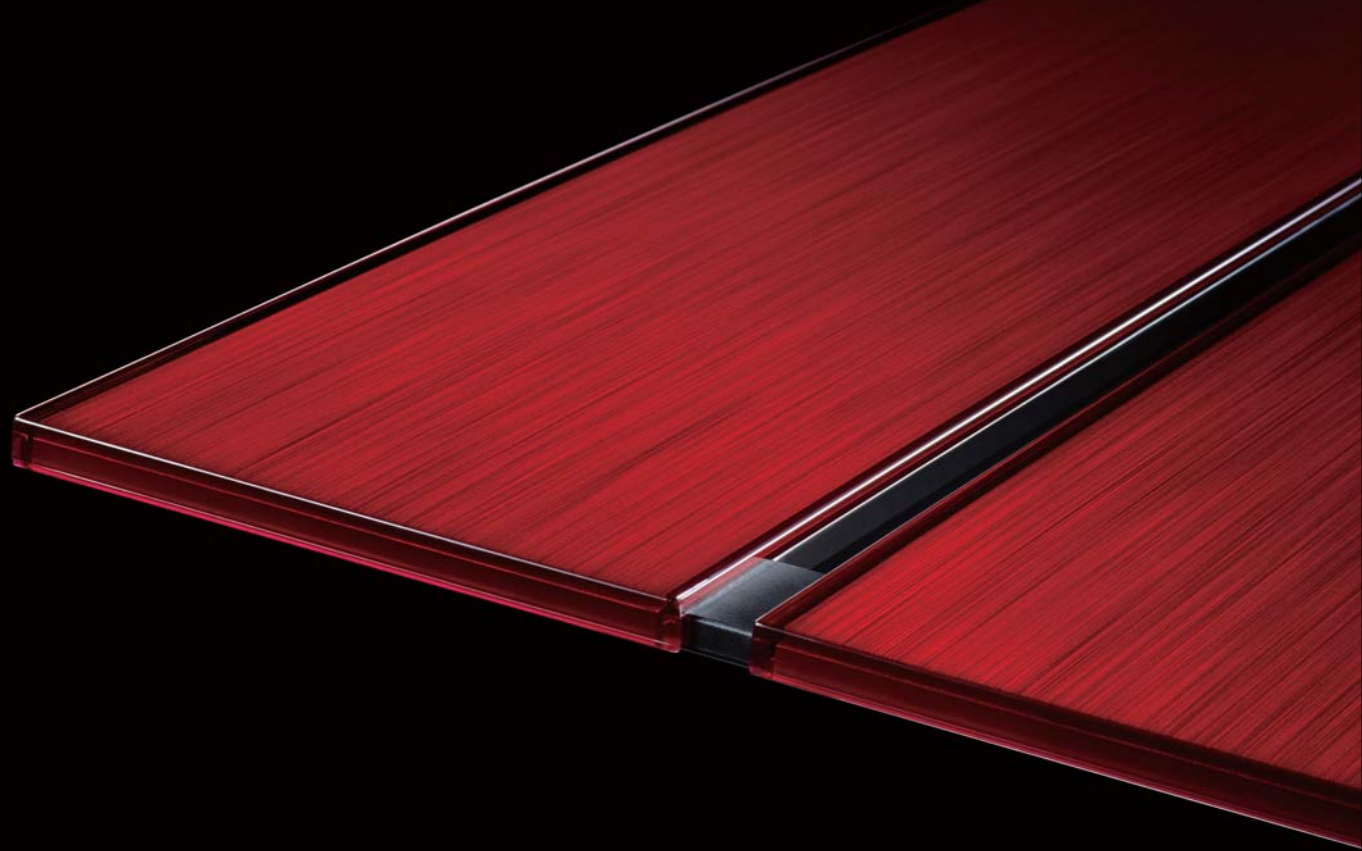


For your luxury
Mitsubishi Electric Air Conditioners









Master craftsmanship painting technology creates fine design, giving the finish deep colour and a premium quality feel.

image

image

Chic, stylish remote controller.



Control your living environment when you're out and about
 MELCloud offers live and weekly timer monitoring, ensuring total flexibility in the control of different Mitsubishi Electric air conditioning systems and heating systems with a single device or from one place. You can also log and record errors via local and remote systems if they are connected to MELCloud. The MELCloud app also provides localised information, like weather forecasts and customer service contact details.

More information is available at melcloud.mitsubishi-les.com





i-see Sensor

i-see infrared-ray sensor utilizes advanced technologies to provide customized comfort by monitoring your body temperature.

Double-Flap

Independently operating double flaps distribute pleasant airflows to individuals in the room.

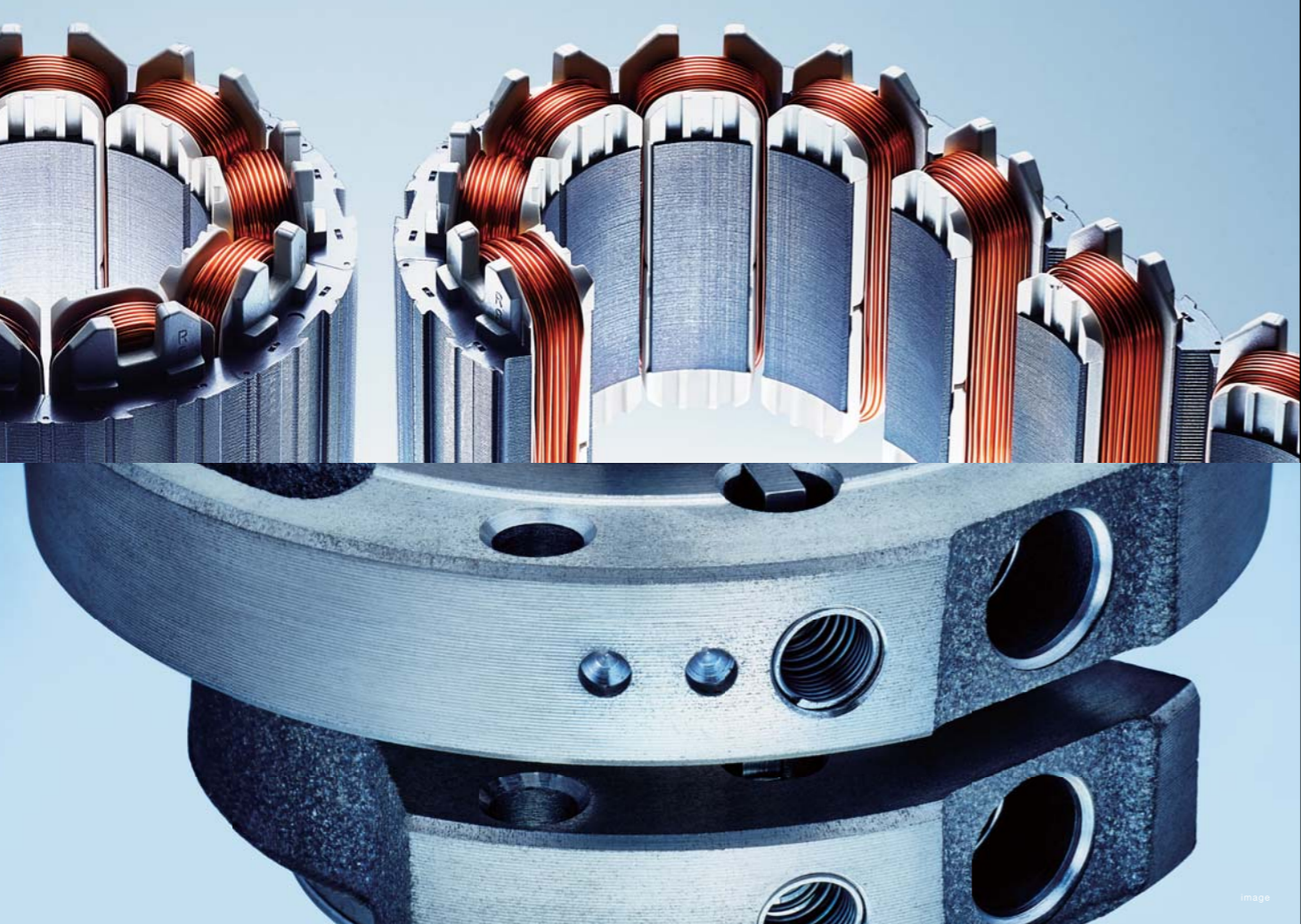


Original infrared-ray sensor and double flaps provide enhanced comfort and energy savings.

image

Low High

image



Built using micron-precise calculations, the compressor is the heart of the air conditioner.



Poki-Poki Motor



Dramatically enhanced motor efficiency utilizing Mitsubishi Electric's original dense winding technology.

Heat Caulking



Mitsubishi Electric's heat caulking method minimizes cylinder distortion for even greater efficiency.



image

image

Dual-Barrier Coating

Mitsubishi Electric's proprietary coating prevents dust and grease accumulation.



- Grease mist
- Cigarette smoke

- Dust
- Dirt



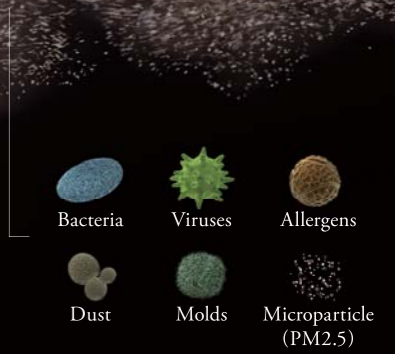
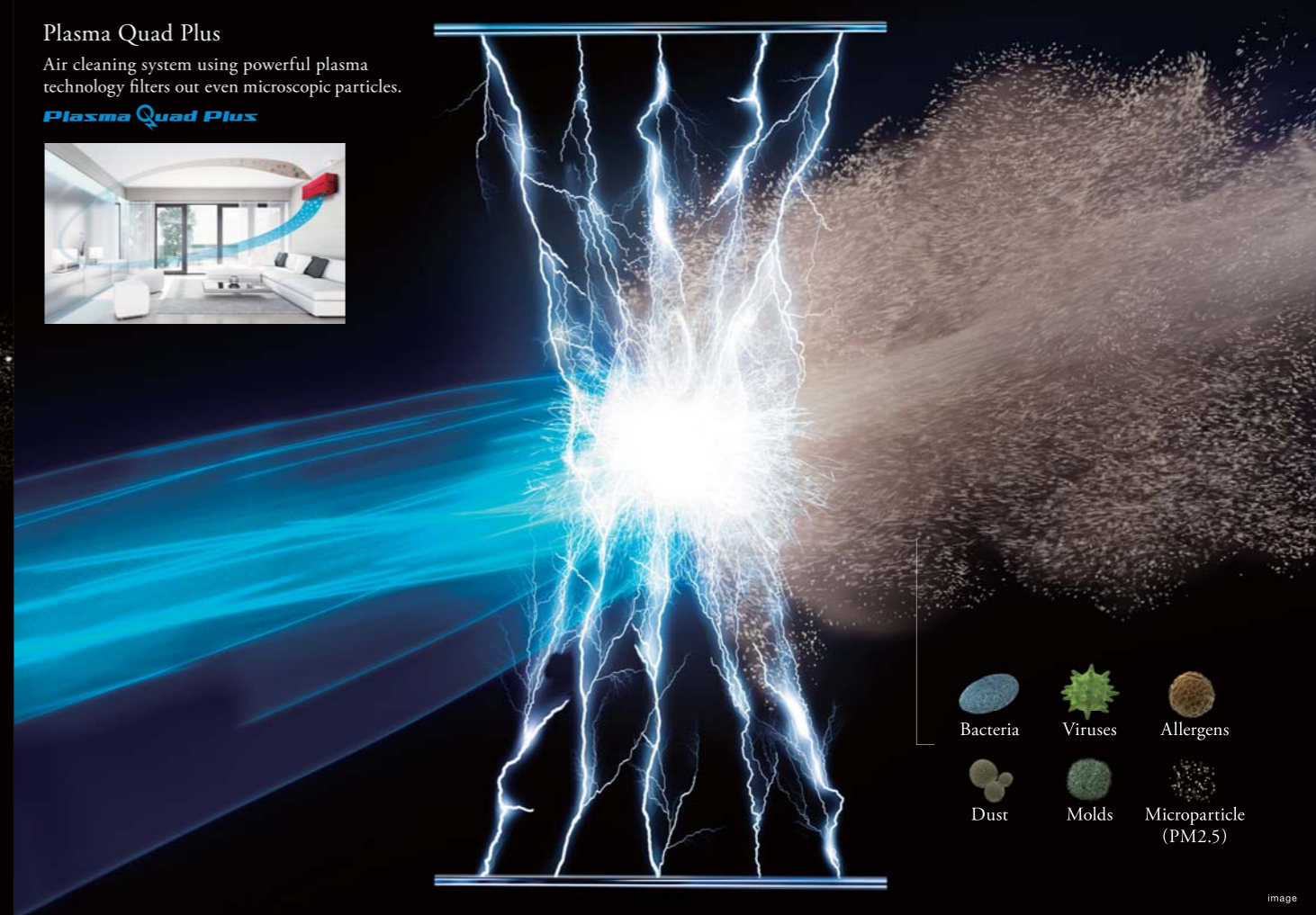
- Dual Barrier Coating used
- Heat exchanger
 - Fan
 - Air duct

image

Plasma Quad Plus

Air cleaning system using powerful plasma technology filters out even microscopic particles.

Plasma Quad Plus



image

Designed to provide powerful heating, even on bitterly cold or snowy days.



In today's competitive environment, simply meeting industry standards is not enough. We go further by setting a quality benchmark called MEQ – Mitsubishi Electric Quality. It is a symbol that stands for superiority in product development, design, manufacture, as well as after sales service.

MEQ is a guarantee that every Mitsubishi Electric product goes through painstaking research, relentless testing and continuous improvement. It gives rise to leading edge products that perform exceptionally, consume minimal power yet protect your investment with a long operational lifespan.

Comfort

Beyond creating a comfortable environment, we aim to achieve harmony between users and their surroundings.

Efficiency

We strive to achieve optimum cost performance by continuously reducing energy requirements and improving eco-friendliness.

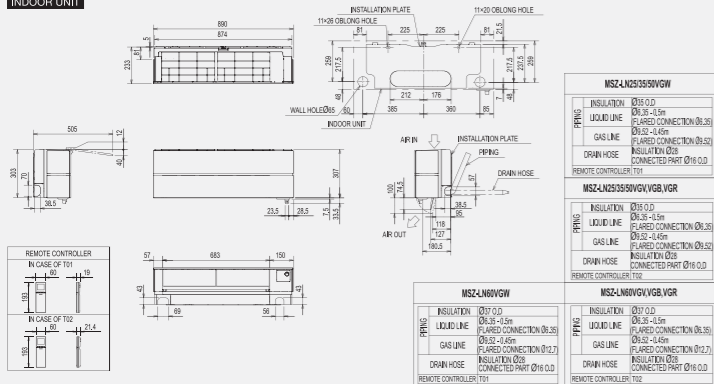
Durability

Our products are subjected to rigorous testing under harsh conditions that are more extreme than that of the real world to ensure years of reliable service.



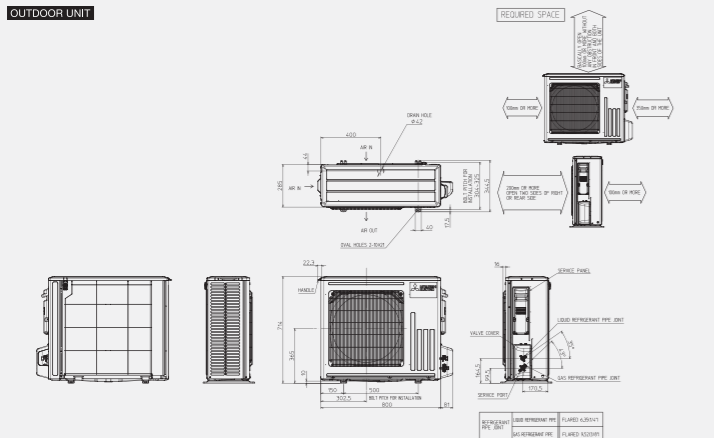
MSZ-LN25VG MSZ-LN35VG MSZ-LN50VG MSZ-LN60VG
 MSZ-LN25VGB MSZ-LN35VGB MSZ-LN50VGB MSZ-LN60VGB
 MSZ-LN25VGR MSZ-LN35VGR MSZ-LN50VGR MSZ-LN60VGR

INDOOR UNIT



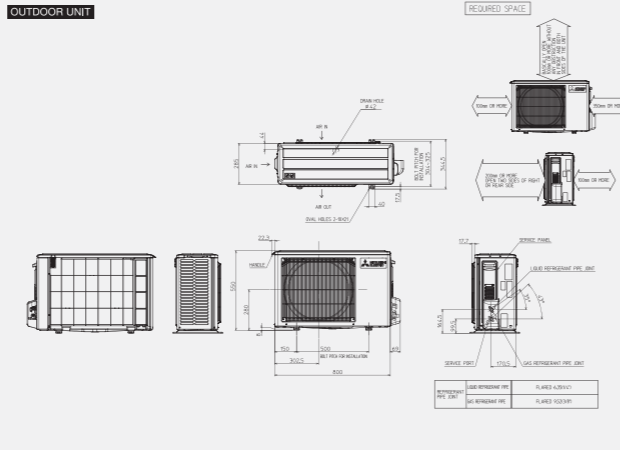
MUZ-LN50VG

OUTDOOR UNIT



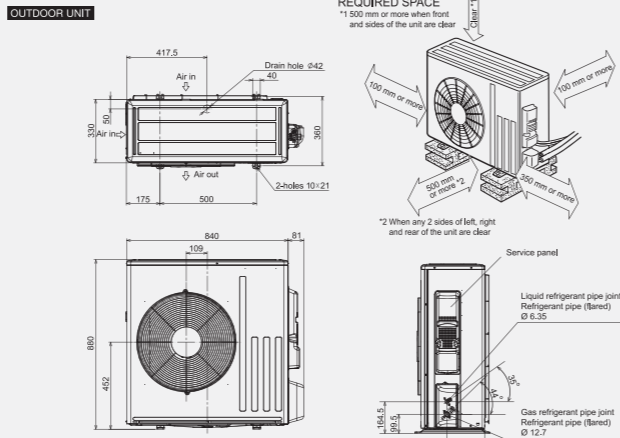
MUZ-LN25VG MUZ-LN35VG

OUTDOOR UNIT



MUZ-LN60VG

OUTDOOR UNIT



Indoor Unit



MSZ-LN 25/35/50/60 VGR Ruby Red



MSZ-LN 25/35/50/60 VGV Pearl White



MSZ-LN 25/35/50/60 VGB Onyx Black



MSZ-LN 25/35/50/60 VGW Natural White

Outdoor Unit



MUZ-LN 25/35 VG



MUZ-LN 50 VG



MUZ-LN 60 VG

Type	Inverter Heat Pump						
Indoor Unit	MSZ-LN25VG	MSZ-LN35VG	MSZ-LN50VG	MSZ-LN60VG			
Outdoor Unit	MUZ-LN25VG	MUZ-LN35VG	MUZ-LN50VG	MUZ-LN60VG			
Refrigerant	R32	R32	R32	R32			
Power Supply	Outdoor Power supply	Outdoor Power supply	Outdoor Power supply	Outdoor Power supply			
	220V(SinglePhase/50Hz)	220V(SinglePhase/50Hz)	220V(SinglePhase/50Hz)	220V(SinglePhase/50Hz)			
Cooling	Design load	kW	2.5	3.5	5.0	6.1	
	Annual electricity consumption	kWh/a	83	128	205	285	
	SEER	Rated	kW	10.5	9.5	8.5	7.5
		Energy efficiency class		A+++	A+++	A+++	A++
	Capacity	Rated	kW	2.5	3.5	5.0	6.1
Min-Max		kW	1.0 - 3.5	0.8 - 4.0	1.0 - 6.0	1.4 - 6.9	
Total Input	Rated	kW	4.0	4.820	1.380	1.790	
	Design load	kW	3.0(-10°C)	3.6(-10°C)	4.5(-10°C)	6.0(-10°C)	
Heating (Average Season)	Declared Capacity	at reference design temperature	kW	3.0(-10°C)	3.6(-10°C)	4.5(-10°C)	6.0(-10°C)
		at bivalent temperature	kW	3.0(-10°C)	3.6(-10°C)	4.5(-10°C)	6.0(-10°C)
	at operation limit temperature	kW	2.5(-15°C)	3.2(-15°C)	4.2(-15°C)	6.0(-15°C)	
Back up heating capacity	kW	0.0(-10°C)	0.0(-10°C)	0.0(-10°C)	0.0(-10°C)		
Annual electricity consumption	kWh/a	794	974	1369	1826		
SCOP	Rated	kW	5.2	5.1	4.6	4.6	
	Energy efficiency class		A+++	A+++	A++	A++	
Capacity	Rated	kW	3.2	4.0	6.0	6.8	
	Min-Max	kW	0.8 - 5.4	1.0 - 6.3	1.0 - 8.2	1.8 - 9.3	
Total Input	Rated	kW	0.580	0.800	1.480	1.810	
	Operating Current(Max)	A	7.1	9.9	13.9	15.2	
Indoor Unit	Input	Rated	kW	0.029	0.029	0.034	0.040
	Operating Current(Max)	A	0.029	0.3	0.4	0.4	
Dimensions	H*W*D	mm	307*890*233	307*890*233	307*890*233	307*890*233	
	Weight	kg	15.5	15.5	15.5	15.5	
Air Volume	Cooling	m³/min	4.3-5.8-7.1-8.8-11.9	4.3-5.8-7.1-8.8-12.8	5.7-8.8-10.6-13.9	7.1-9.8-10.12-15.7	
	Heating	m³/min	4.0-5.7-7.1-8.5-14.4	4.3-5.7-7.1-8.5-13.7	5.4-6.4-8.5-10.7-17.7	6.6-9.5-11.5-13.6-15.7	
Sound Level (SPL) (Lo-Lo-Mid-Hi-SH)	Cooling	dB(A)	19-23-29-36-42	19-24-29-36-43	27-31-35-39-46	29-37-41-45-49	
	Heating	dB(A)	19-24-29-36-45	19-24-29-36-45	25-29-34-39-47	29-37-41-45-49	
Sound Level (PWL)	Cooling	dB(A)	58	58	60	65	
	Heating	dB(A)	58	58	60	65	
Outdoor Unit	Dimensions	H*W*D	mm	550*800*285	550*800*285	880*840*330	
	Weight	kg	35	35	40	55	
Air Volume	Cooling	m³/min	31.4	31.4	40.0	50.1	
	Heating	m³/min	26.6	29.8	40.5	51.3	
Sound Level (SPL)	Cooling	dB(A)	46	49	51	55	
	Heating	dB(A)	49	50	54	55	
Sound Level (PWL)	Cooling	dB(A)	60	61	64	65	
	Operating Current(Max)	A	6.8	9.6	13.5	14.8	
Breaker Size	A		10	16	16		
	Diameter	Liquid/Gas	mm	6.35/9.52	6.35/9.52	6.35/12.7	
Ext. Piping	Max.Length	Out-In	m	20	20	30	
	Max.Height	Out-In	m	12	12	15	
Guaranteed Operating Range (Outdoor)	Cooling	°C	-10 ~ +46	-10 ~ +46	-10 ~ +46	-10 ~ +46	
	Heating	°C	-15 ~ +24	-15 ~ +24	-15 ~ +24	-15 ~ +24	